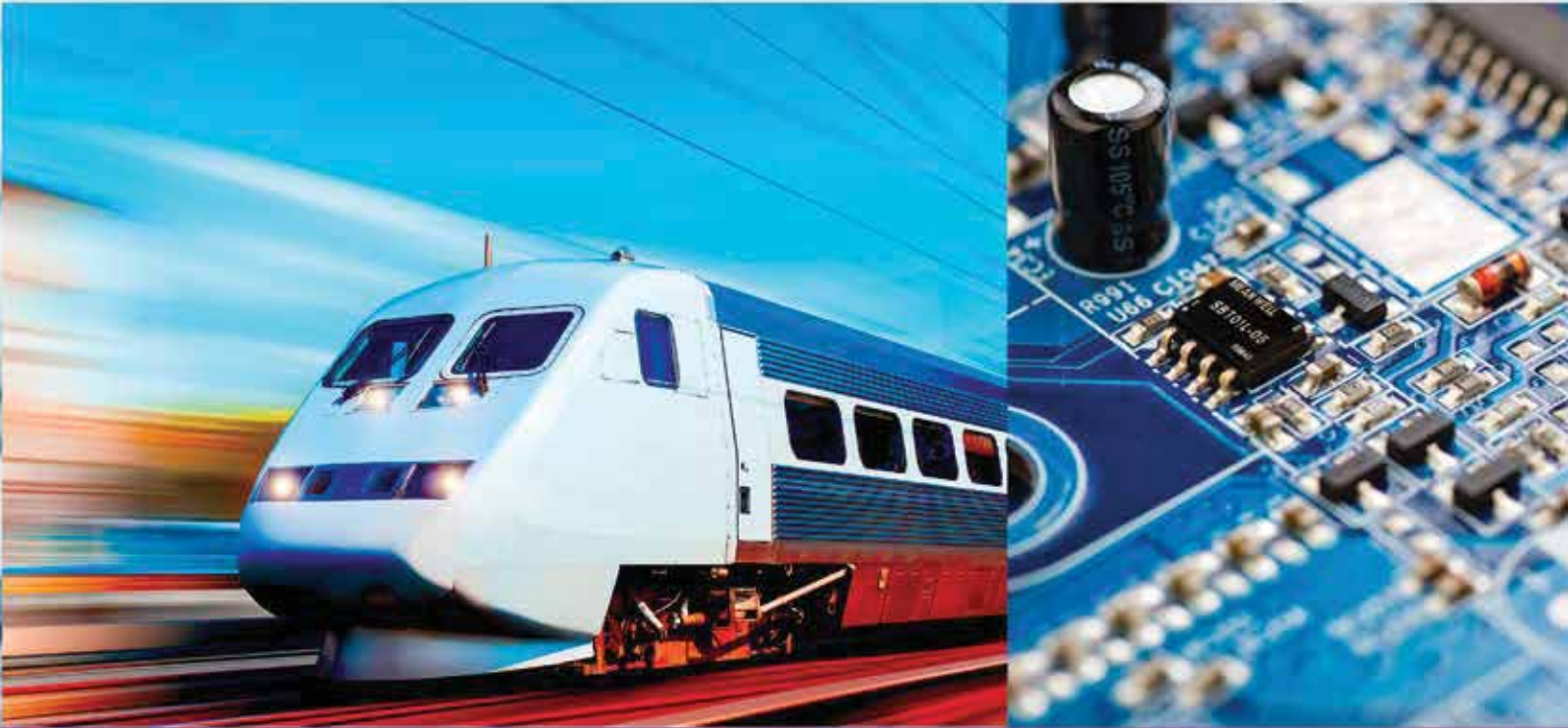




*Your Reliable Power Partner*



## ***DC/DC Converter***

*Enclosed | DIN Rail | PCB | On Board | Module*



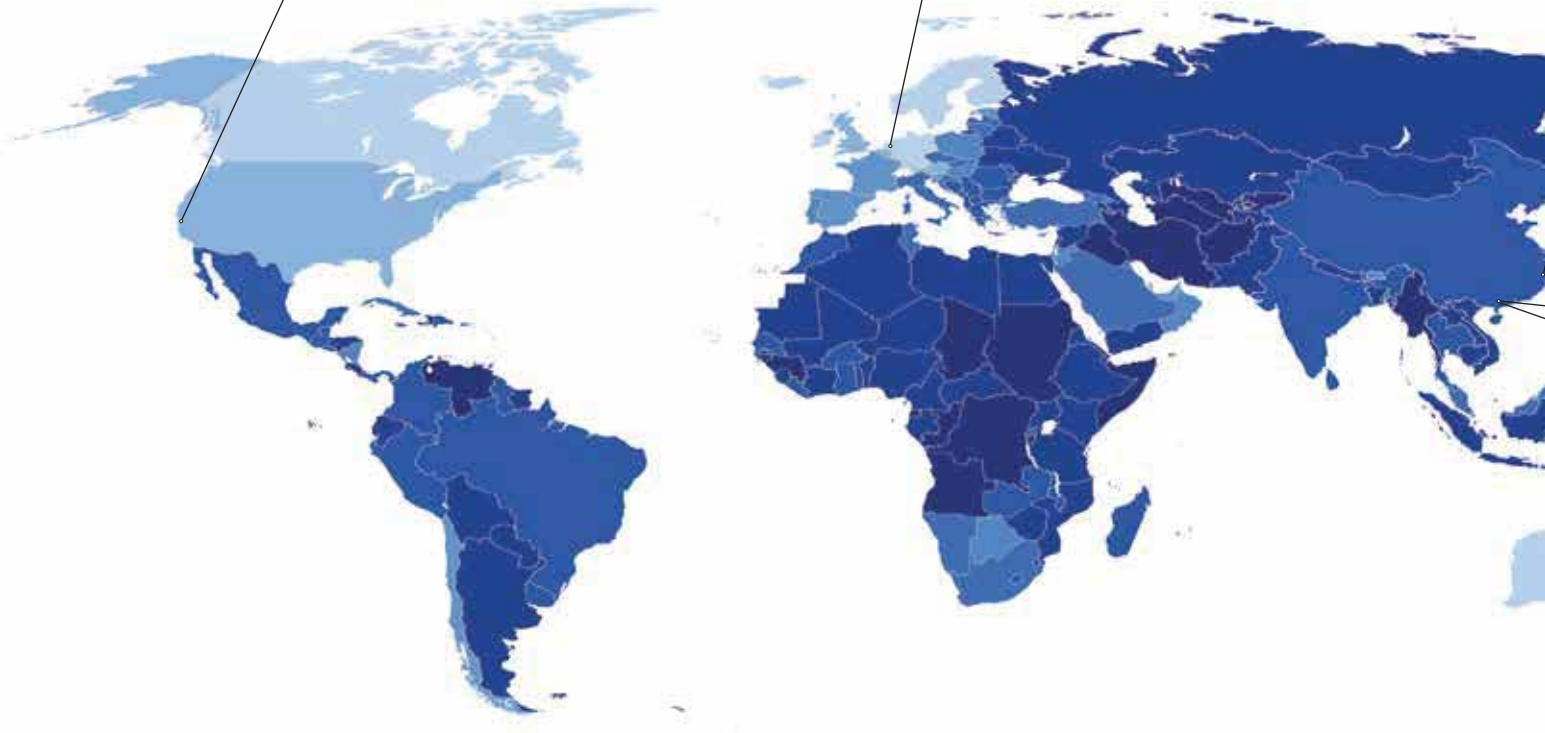
# Company Profile

Established in 1982, MEAN WELL is a leading standard switching power supply manufacturers in the world. MEAN WELL currently operates under five companies in Taiwan, China, USA and Europe and three factories in Taiwan, GuangZhou and SuZhou. The product lines include AC/DC switching power supplies, DC/DC converters, waterproof LED drivers, adaptors, DC/AC inverters and battery chargers. We have over 9,500 standard models widely used in medical, automation, communication, LED lighting, moving sign, and office automation fields.

MEAN WELL USA



MEAN WELL EUROPE



With 36 years of experience in R&D and production of standard power supplies, MEAN WELL has ten product category covering 9,500 models, to provide “One Stop Shopping” power solutions. Every product in the MEAN WELL range is the result of rigid procedures governing design, design verification test (DVT), design quality test (DQT), component selection, pilot-run production, and mass production.

With more than 200 distributors globally, the MEAN WELL products are distributed to over 80 countries worldwide. The small size orders can expect delivery within 24 hours without MOQ requirement. If you are looking for switching power supply with high reliability, good quality, reasonable price and full series products which can satisfy your various demands, MEAN WELL, a total solution provider, is definitely your first choice!

MEAN WELL SUZHOU



MEAN WELL TAIWAN



MEAN WELL GUANGZHOU  
TIANHE R&D CENTER



MEAN WELL GUANGZHOU  
HUADU FACTORY



# Reliable Quality

The brand name "MEAN WELL" is defined as "have good intentions". We strongly believe that the product quality is the life of power supply manufacturer. "To become the reliable power partner" has been the motivation for MEAN WELL to grow continuously.

In 1994, MEAN WELL acquired the ISO9001 certification and began to implement the total quality management (TQM) system, which are audited by TUV annually to continuous review and improvement. In April 2013, MEAN WELL acquired the ISO14000 certification and obtained the OHSAS18001 system (ESH, environmental safety and health) in 2015, to take the concept of environmental protection into action, and expect to create a safe and healthy life.



OHSAS18001



ISO9001



ISO14000

MEAN WELL DC/DC converter products comply with CB / UL / CE /FCC.





MEAN WELL has a complete quality management system. To ensure product quality, 100% burn-in test, function test and pressure test have been applied in manufacturing process, while the MIL-105E sampling method used in IQC, PCBQC (semi-finished products testing) and FQC phases. In the R&D stage, MEAN WELL quality engineers customize the "Test Plan" for each product, to complete the verifications of DFMEA, DVT/DQT, ORT, EMC, drop test, vibration test, thermal shock test, and reliability test.

In production stage, the product engineers co-work with process engineers to review the pilot run, semi-finished products quality control, process checking, finished product quality control, and the feedback analysis as well as the production problems occurred.



# Product Range



## Enclosed Type

- 15 ~ 1000W
- 2:1 or 4:1 input range
- 3.3V ~ 48V single output
- -40 ~ +70°C operating temp.
- EN50155 railway standard (RSD series)



Page  
7



## DIN Rail Type

- 15 ~ 240W
- 2:1 or 4:1 wide input range
- 3.3 ~ 48V single output
- -40 ~ +85°C wide operating temp.
- EN50155 railway standard (120W/240W)



Page  
13



## PCB Type

- 15 ~ 45W
- 2:1 input range
- 5V ~ 24V single output
- -20 ~ +60°C operating temp.



Page  
16



## On Board Type

- 5 ~ 60W
- PCB mount models
- 2:1 or 4:1 input range
- Single and dual output
- -25 ~ +70°C operating temp.

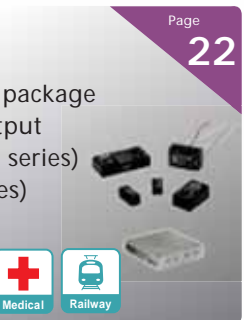


Page  
18



## Module Type

- 0.5 ~ 150W
- SIP, SMD, DIP, 1"x1", 2"x1", 2"x2", Brick package
- ±10%, 2:1 or 4:1 input range & 1~3 output
- EN50155 railway standard (RSDW/RDDW series)
- Medical safety approved (MDS/MDD series)
- -40 ~ +90°C ultrawide operating temp.

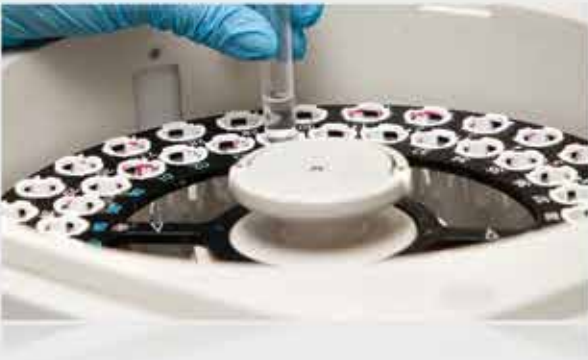


Page  
22

MEAN WELL DC/DC product lines can be categorized into five categories—Enclosed, PCB, On-board, module type, and DIN rail type by appearance, installation methods, and application sites. Currently, there are over 100 series and 900 models with covering 0.5 ~ 1000W. To meet the demands of terminal system equipment, MEAN WELL organizes multiple categories and various DC/DC converters, which can also be divided into I/O isolation and non-isolated, regulated and non-regulated,  $\pm 10\%$ , 2: 1, 3: 1, and 4: 1 input voltage range and single, dual, and triple output voltage. MEAN WELL products can fully meet designers' needs for one-stop shopping and application for diverse usage, such as industrial automation control, power electronics, telecom, railway, medical, LED lighting, security control, distributed power, etc. In addition, MEAN WELL R & D team not only continually strives for excellence, but releases new and competitive DC/DC converter to meet market demands.

The usage method of DC/DC converter is its front end collocating with AC/DC power supply or battery. The common application includes boost, buck, regulator in system equipment and improving system isolation, system wiring voltage reduce compensation, and system security, etc.

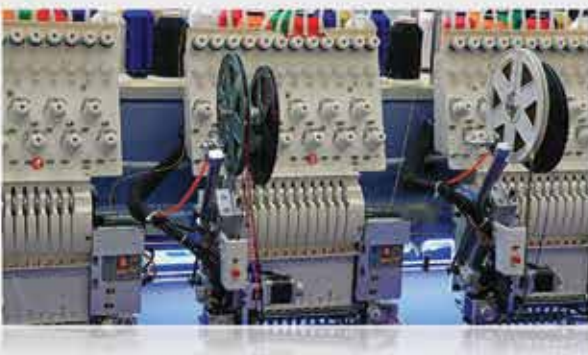
Automated hematology analyzer



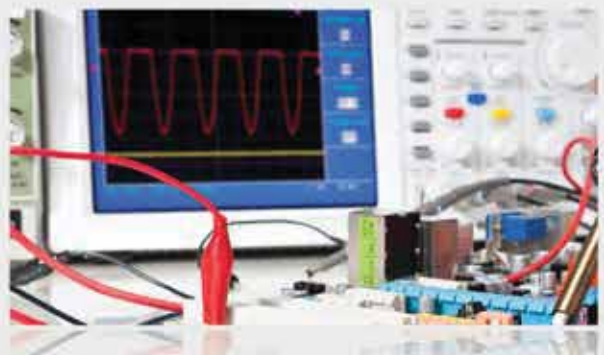
Railway instrument panel



Embroidery machine



Oscilloscope



# Enclosed Type



## Features

- 15~1000W complete wattage for choice
- 2:1 or 4:1 wide input range
- Single output voltage from 5V to 48V available
- 1U low profile (except for SD-150~500)
- I/O isolated
- Compliance to [EN50155/EN45545-2 railway](#) standard (RSD-30~300)
- -40~+70°C wide operating temperature
- 3 years warranty for RSD series  
2 years warranty for SD series





▲ RSD-30  
113x 60x 25mm



▲ RSD-60  
128x 60x 25mm



▲ RSD-100  
161x 68x 36mm



▲ RSD-150  
189x 77x 36mm

## RSD-30



Model No.	Wattage	Vin	Vout	Iout	Isolation voltage	Operating temperature	Safety
RSD-30G-3.3	20W	12V, 24V (9~36V)	3.3V	6A	4KVDC	-40~+70°C	CE (EN50155/EN55032) / EAC
RSD-30G-5	30W		5V	6A			
RSD-30G-12	30W		12V	2.5A			
RSD-30G-24	30W		24V	1.25A			
RSD-30L-3.3	20W	24V, 48V (18~72V)	3.3V	6A	4KVDC	-40~+70°C	CE (EN50155/EN55032) / EAC
RSD-30L-5	30W		5V	6A			
RSD-30L-12	30W		12V	2.5A			
RSD-30L-24	30W		24V	1.25A			
RSD-30H-3.3	20W	96V, 110V (40~160V)	3.3V	6A	4KVDC	-40~+70°C	CE (EN50155/EN55032) / EAC
RSD-30H-5	30W		5V	6A			
RSD-30H-12	30W		12V	2.5A			
RSD-30H-24	30W		24V	1.25A			

## RSD-60



Model No.	Wattage	Vin	Vout	Iout	Isolation voltage	Operating temperature	Safety
RSD-60G-3.3	40W	12V, 24V (9~36V)	3.3V	12A	4KVDC	-40~+70°C	CE (EN50155/EN55032) / EAC
RSD-60G-5	60W		5V	12A			
RSD-60G-12	60W		12V	5A			
RSD-60G-24	60W		24V	2.5A			
RSD-60L-3.3	40W	24V, 48V (18~72V)	3.3V	12A	4KVDC	-40~+70°C	CE (EN50155/EN55032) / EAC
RSD-60L-5	60W		5V	12A			
RSD-60L-12	60W		12V	5A			
RSD-60L-24	60W		24V	2.5A			
RSD-60H-3.3	40W	96V, 110V (40~110V)	3.3V	12A	4KVDC	-40~+70°C	CE (EN50155/EN55032) / EAC
RSD-60H-5	60W		5V	12A			
RSD-60H-12	60W		12V	5A			
RSD-60H-24	60W		24V	2.5A			

## RSD-100



Model No.	Wattage	Vin	Vout	Iout	Isolation voltage	Operating temperature	Safety
RSD-100B-5	100W	24V (16.8 ~ 31.2V)	5V	20A	4KVDC	-40~+70°C	CE (EN50155/EN55032) / EAC
RSD-100B-12			12V	8.4A			
RSD-100B-24			24V	4.2A			
RSD-100C-5	100W	48V (33.6 ~ 62.4V)	5V	20A	4KVDC	-40~+70°C	CE (EN50155/EN55032) / EAC
RSD-100C-12			12V	8.4A			
RSD-100C-24			24V	4.2A			
RSD-100D-5	100W	96V, 110V (67.2~143V)	5V	20A	4KVDC	-40~+70°C	CE (EN50155/EN55032) / EAC
RSD-100D-12			12V	8.4A			
RSD-100D-24			24V	4.2A			

## RSD-150



Model No.	Wattage	Vin	Vout	Iout	Isolation voltage	Operating temperature	Safety
RSD-150B-5	150W	24V (16.8~31.2V)	5V	30A	4KVDC	-40~+70°C	CE (EN50155/EN55032) / EAC
RSD-150B-12	150W		12V	12.5A			
RSD-150B-24	151W		24V	6.3A			
RSD-150C-5	150W	48V (33.6~62.4V)	5V	30A	4KVDC	-40~+70°C	CE (EN50155/EN55032) / EAC
RSD-150C-12	150W		12V	12.5A			
RSD-150C-24	151W		24V	6.3A			
RSD-150D-5	150W	96V, 110V (67.2~143V)	5V	30A	4KVDC	-40~+70°C	CE (EN50155/EN55032) / EAC
RSD-150D-12	150W		12V	12.5A			
RSD-150D-24	151W		24V	6.3A			

## ■ Enclosed Type 15~1000W



▲ RSD-200  
191x 86x 40mm



▲ RSD-300  
216x 96.5x 40mm

### ■ RSD-200



Model No.	Wattage	Vin	Vout	Iout	Isolation voltage	Operating temperature	Safety
RSD-200B-12	200W	24V (16.8~31.2V)	12V	16.7A	4KVDC	-40~+70°C	CE (EN50155/EN55032) / EAC
RSD-200B-24	202W		24V	8.4A			
RSD-200B-48	202W		48V	4.2A			
RSD-200C-12	200W	48V (33.6~62.4V)	12V	16.7A	4KVDC	-40~+70°C	CE (EN50155/EN55032) / EAC
RSD-200C-24	202W		24V	8.4A			
RSD-200C-48	202W		48V	4.2A			
RSD-200D-12	200W	96V, 110V (67.2~143V)	12V	16.7A	4KVDC	-40~+70°C	CE (EN50155/EN55032) / EAC
RSD-200D-24	202W		24V	8.4A			
RSD-200D-48	202W		48V	4.2A			

### ■ RSD-300



Model No.	Wattage	Vin	Vout	Iout	Isolation voltage	Operating temperature	Safety
RSD-300B-5	210W	24V (16.8~31.2V)	5V	42A	4KVDC	-40~+70°C	CE (EN50155/EN55032) / EAC
RSD-300B-12	270W		12V	22.5A			
RSD-300B-24	271W		24V	11.3A			
RSD-300B-48	274W		48V	5.7A			
RSD-300C-5	210W	48V (33.6~62.4V)	5V	42A	4KVDC	-40~+70°C	CE (EN50155/EN55032) / EAC
RSD-300C-12	300W		12V	25A			
RSD-300C-24	300W		24V	12.5A			
RSD-300C-48	302W		48V	6.3A			
RSD-300D-5	210W	96V, 110V (67.2~143V)	5V	42A	4KVDC	-40~+70°C	CE (EN50155/EN55032) / EAC
RSD-300D-12	300W		12V	25A			
RSD-300D-24	300W		24V	12.5A			
RSD-300D-48	302W		48V	6.3A			
RSD-300E-5	210W	36V (25.2~46.8V)	5V	42A	4KVDC	-40~+70°C	CE (EN50155/EN55032) / EAC
RSD-300E-12	300W		12V	25A			
RSD-300E-24	300W		24V	12.5A			
RSD-300E-48	302W		48V	6.3A			
RSD-300F-5	210W	72V (50.4~93.6V)	5V	42A	4KVDC	-40~+70°C	CE (EN50155/EN55032) / EAC
RSD-300F-12	300W		12V	25A			
RSD-300F-24	300W		24V	12.5A			
RSD-300F-48	302W		48V	6.3A			



▲ SD-15  
78x 51x 28mm



▲ SD-25  
99x 97x 36mm



▲ SD-50  
159x 97x 38mm

## SD-15

Model No.	Wattage	Vin	Vout	Iout	Isolation voltage	Operating temperature	Safety
SD-15A-5	15W	12V (9.2~18V)	5V	3A	1.5KVAC	-10~+60°C	CE / EAC
SD-15A-12			12V	1.25A			
SD-15A-24			24V	0.625A			
SD-15B-5	15W	24V (18~36V)	5V	3A	1.5KVAC	-10~+60°C	CE / EAC
SD-15B-12			12V	1.25A			
SD-15B-24			24V	0.625A			
SD-15C-5	15W	48V (36~72V)	5V	3A	1.5KVAC	-10~+60°C	CE / EAC
SD-15C-12			12V	1.25A			
SD-15C-24			24V	0.625A			

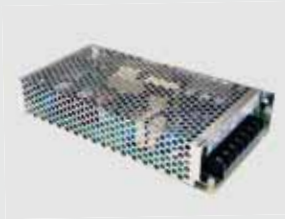
## SD-25

Model No.	Wattage	Vin	Vout	Iout	Isolation voltage	Operating temperature	Safety
SD-25A-5	25W	12V (9.2~18V)	5V	5A	1.5KVAC	-10~+60°C	CE / EAC
SD-25A-12	25W		12V	2.1A			
SD-25A-24	26W		24V	1.1A			
SD-25B-5	25W	24V (18~36V)	5V	5A	1.5KVAC	-10~+60°C	CE / EAC
SD-25B-12	25W		12V	2.1A			
SD-25B-24	26W		24V	1.1A			
SD-25C-5	25W	48V (36~72V)	5V	5A	1.5KVAC	-10~+60°C	CE / EAC
SD-25C-12	25W		12V	2.1A			
SD-25C-24	26W		24V	1.1A			

## SD-50

Model No.	Wattage	Vin	Vout	Iout	Isolation voltage	Operating temperature	Safety
SD-50A-5	50W	12V (9.2~18V)	5V	10A	1.5KVAC	-10~+60°C	CE / EAC
SD-50A-12			12V	4.2A			
SD-50A-24			24V	2.1A			
SD-50B-5	50W	24V (18~36V)	5V	10A	1.5KVAC	-10~+60°C	CE / EAC
SD-50B-12			12V	4.2A			
SD-50B-24			24V	2.1A			
SD-50C-5	50W	48V (36~72V)	5V	10A	1.5KVAC	-10~+60°C	CE / EAC
SD-50C-12			12V	4.2A			
SD-50C-24			24V	2.1A			

## ■ Enclosed Type 15~1000W



▲ SD-100  
199x 98x 38mm



▲ SD-150  
199x 110x 50mm



▲ SD-200  
215x 115x 50mm

### ■ SD-100

Model No.	Wattage	Vin	Vout	Iout	Isolation voltage	Operating temperature	Safety
SD-100A-5	100W	12V (9.5~18V)	5V	18A	1.5KVAC	-10~+60°C	CE / EAC
SD-100A-12	102W		12V	8.5A			
SD-100A-24	100W		24V	4.2A			
SD-100B-5	100W	24V (19~36V)	5V	20A	1.5KVAC	-10~+60°C	CE / EAC
SD-100B-12	102W		12V	8.5A			
SD-100B-24	100W		24V	4.2A			
SD-100C-5	100W	48V (36~72V)	5V	20A	1.5KVAC	-10~+60°C	CE / EAC
SD-100C-12	102W		12V	8.5A			
SD-100C-24	100W		24V	4.2A			
SD-100D-5	100W	96V, 110V (72~144V)	5V	20A	1.5KVAC	-10~+60°C	CE / CB / EAC
SD-100D-12	102W		12V	8.5A			
SD-100D-24	100W		24V	4.2A			

### ■ SD-150

Model No.	Wattage	Vin	Vout	Iout	Isolation voltage	Operating temperature	Safety
SD-150B-12	150W	24V (19~36V)	12V	12.5A	1.5KVAC	-10~+60°C	CE / EAC
SD-150B-24	151W		24V	6.3A			
SD-150C-12	150W	48V (36~72V)	12V	12.5A	1.5KVAC	-10~+60°C	CE / EAC
SD-150C-24	151W		24V	6.3A			
SD-150D-12	150W	96V, 110V (72~144V)	12V	12.5A	1.5KVAC	-10~+60°C	CE / CB / EAC
SD-150D-24	151W		24V	6.3A			

### ■ SD-200

Model No.	Wattage	Vin	Vout	Iout	Isolation voltage	Operating temperature	Safety
SD-200B-5	170W	24V (19~36V)	5V	34A	1.5KVAC	-20~+60°C	CE / EAC
SD-200B-12	200W		12V	16.7A			
SD-200B-24	202W		24V	8.4A			
SD-200B-48	202W	48V (36~72V)	48V	4.2A	1.5KVAC	-20~+60°C	CE / UL / EAC
SD-200C-5	200W		5V	40A			
SD-200C-12	200W		12V	16.7A			
SD-200C-24	202W	96V, 110V (72~144V)	24V	8.4A	1.5KVAC	-20~+60°C	CE / EAC
SD-200C-48	202W		48V	4.2A			
SD-200D-5	200W		5V	40A			
SD-200D-12	200W	96V, 110V (72~144V)	12V	16.7A	1.5KVAC	-20~+60°C	CE / CB / EAC
SD-200D-24	202W		24V	8.4A			
SD-200D-48	202W		48V	4.2A			



▲ SD-350  
215x 115x 50mm



▲ SD-500  
215x 115x 50mm



▲ SD-1000  
295x 127x 41mm

## SD-350

Model No.	Wattage	Vin	Vout	Iout	Isolation voltage	Operating temperature	Safety
SD-350B-5	285W	24V (19~36V)	5V	57A	1.5KVAC	-20~+60°C	CE / EAC
SD-350B-12	330W		12V	27.5A			
SD-350B-24	350W		24V	14.6A			
SD-350B-48	350W		48V	7.3A			
SD-350C-5	300W	48V (36~72V)	5V	60A	1.5KVAC	-20~+60°C	CE / EAC
SD-350C-12	330W		12V	27.5A			
SD-350C-24	350W		24V	14.6A			
SD-350C-48	350W		48V	7.3A			
SD-350D-5	300W	96V, 110V (72~144V)	5V	60A	1.5KVAC	-20~+60°C	CE / CB / EAC
SD-350D-12	350W		12V	29.2A			
SD-350D-24	350W		24V	14.6A			
SD-350D-48	350W		48V	7.3A			

## SD-500

Model No.	Wattage	Vin	Vout	Iout	Isolation voltage	Operating temperature	Safety
SD-500L-12	480W	48V (19~72V)	12V	40A	2KVAC	-20~+60°C	CE / CB / EAC
SD-500L-24	504W		24V	21A			
SD-500L-48	504W		48V	10.5A			
SD-500H-12	480W	96V, 110V (72~144V)	12V	40A	2KVAC	-20~+60°C	CE / CB / EAC
SD-500H-24	504W		24V	21A			
SD-500H-48	504W		48V	10.5A			

## SD-1000

Model No.	Wattage	Vin	Vout	Iout	Isolation voltage	Operating temperature	Safety
SD-1000L-12	720W	48V (19~72V)	12V	60A	2KVAC	-20~+60°C	CE / CB / EAC
SD-1000L-24	960W		24V	40A			
SD-1000L-48	1008W		48V	21A			
SD-1000H-12	720W	96V, 110V (72~144V)	12V	60A	2KVAC	-20~+60°C	CE / CB / EAC
SD-1000H-24	960W		24V	40A			
SD-1000H-48	1008W		48V	21A			

# DIN Rail Type



## Features

- Railway & ITE applications
- 15~240W complete wattage for choice
- 2:1 or 4:1 wide input range
- Complete models from 3.3V to 48V available
- Compact size, slim width
- I/O isolated (Reinforced)
- Compliance to EN50155 railway standard (120W/240W)
- -40~+85°C ultrawide operating temperature
- DC output adjustable ( $\pm 10\%$ )
- Plastic case (DDR-15~60), metal case (DDR-120/240)
- 3 years warranty



▲ DDR-15  
17.5x 90x 54.5 mm



▲ DDR-30  
35x 90x 54.5 mm



▲ DDR-60  
52.5x 90x 54.5 mm

### DDR-15

Model No.	Wattage	Vin	Vout	Iout	Isolation Voltage	Operating Temperature	Safety
DDR-15G-3.3	15W	12V, 24V (9~36V)	3.3V	3.5A	4KVDC	-40~+85°C	CE / EAC
DDR-15G-5			5V	3A			
DDR-15G-12			12V	1.25A			
DDR-15G-15			15V	1A			
DDR-15G-24			24V	0.63A			
DDR-15L-3.3	15W	24V, 48V (18~75V)	3.3V	4.5A	4KVDC	-40~+85°C	CE / EAC
DDR-15L-5			5V	3A			
DDR-15L-12			12V	1.25A			
DDR-15L-15			15V	1A			
DDR-15L-24			24V	0.63A			

### DDR-30

Model No.	Wattage	Vin	Vout	Iout	Isolation Voltage	Operating Temperature	Safety
DDR-30G-5	30W	12V, 24V (9~36V)	5V	6A	4KVDC	-40~+85°C	CE / EAC
DDR-30G-12			12V	2.5A			
DDR-30G-15			15V	2A			
DDR-30G-24			24V	1.25A			
DDR-30L-5	30W	24V, 48V (18~75V)	5V	6A	4KVDC	-40~+85°C	CE / EAC
DDR-30L-12			12V	2.5A			
DDR-30L-15			15V	2A			
DDR-30L-24			24V	1.25A			

### DDR-60

Model No.	Wattage	Vin	Vout	Iout	Isolation Voltage	Operating Temperature	Safety
DDR-60G-5	54W	12V, 24V (9~36V)	5V	10.8A	4KVDC	-40~+85°C	CE / EAC
DDR-60G-12	60W		12V	5A			
DDR-60G-15			15V	4A			
DDR-60G-24			24V	2.5A			
DDR-60L-5	60W	24V, 48V (18~75V)	5V	12A	4KVDC	-40~+85°C	CE / EAC
DDR-60L-12			12V	5A			
DDR-60L-15			15V	4A			
DDR-60L-24			24V	2.5A			

## ■ DIN Rail Type 15~240W



▲ DDR-120  
32x 125.2x 102 mm



▲ DDR-240  
40x 125.2x 113.5 mm

### ■ DDR-120



Model No.	Wattage	Vin	Vout	Iout	Isolation Voltage	Operating Temperature	Safety
DDR-120A-12	100W	12V (9~18V)	12V	8.3A	4KVDC	-40~+70°C	CE (EN50155/EN55032) EAC
DDR-120A-24			24V	4.2A			
DDR-120A-48			48V	2.1A			
DDR-120B-12	120W	24V (16.8~33.6V)	12V	10A	4KVDC	-40~+70°C	CE (EN50155/EN55032) EAC
DDR-120B-24			24V	5A			
DDR-120B-48			48V	2.5A			
DDR-120C-12	120W	48V (33.6~67.2V)	12V	10A	4KVDC	-40~+70°C	CE (EN50155/EN55032) EAC
DDR-120C-24			24V	5A			
DDR-120C-48			48V	2.5A			
DDR-120D-12	120W	96V, 110V (67.2~154V)	12V	10A	4KVDC	-40~+70°C	CE (EN50155/EN55032) EAC
DDR-120D-24			24V	5A			
DDR-120D-48			48V	2.5A			

### ■ DDR-240



Model No.	Wattage	Vin	Vout	Iout	Isolation Voltage	Operating Temperature	Safety
DDR-240B-24	240W	24V (16.8~33.6V)	24V	10A	4KVDC	-40~+70°C	CE (EN50155/EN55032) EAC
DDR-240B-48			48V	5A			
DDR-240C-24	240W	48V (33.6~67.2V)	24V	10A	4KVDC	-40~+70°C	CE (EN50155/EN55032) EAC
DDR-240C-48			48V	5A			
DDR-240D-24	240W	96V, 110V (67.2~154V)	24V	10A	4KVDC	-40~+70°C	CE (EN50155/EN55032) EAC
DDR-240D-48			48V	5A			



# PCB Type



Automate



Industrial



Security



Network



Telecom



## Features

- 15~45W
- Compact size & Open frame design
- 2:1 wide input range
- Single output voltage from 5V to 24V available
- I/O isolated
- Cooling by free air convection
- 2 years warranty

## PCB Type 15~45W



▲ PSD-15  
94x 49x 25mm



▲ PSD-30  
101.6x 50.8x 30mm



▲ PSD-45  
127x 76x 30mm

### PSD-15

Model No.	Wattage	Vin	Vout	Iout	Isolation voltage	Operating temperature	Safety
PSD-15A-05	15W		5V	3A			
PSD-15A-12	15W	12V (9.2~18V)	12V	1.25A	1.5KVAC	-10~+60°C	CE / EAC
PSD-15A-24	14W		24V	0.6A			
PSD-15B-05	15W		5V	3A			
PSD-15B-12	15W	24V (18~36V)	12V	1.25A	1.5KVAC	-10~+60°C	CE / EAC
PSD-15B-24	14W		24V	0.6A			
PSD-15C-05	15W		5V	3A			
PSD-15C-12	15W	48V (36~72V)	12V	1.25A	1.5KVAC	-10~+60°C	CE / EAC
PSD-15C-24	14W		24V	0.6A			

### PSD-30

Model No.	Wattage	Vin	Vout	Iout	Isolation voltage	Operating temperature	Safety
PSD-30A-05	25W		5V	5A			
PSD-30A-12	30W	12V (9~18V)	12V	2.5A	1.5KVAC	-20~+60°C	CE / EAC
PSD-30A-24	30W		24V	1.25A			
PSD-30B-05	25W		5V	5A			
PSD-30B-12	30W	24V (18~36V)	12V	2.5A	1.5KVAC	-20~+60°C	CE / EAC
PSD-30B-24	30W		24V	1.25A			
PSD-30C-05	25W		5V	5A			
PSD-30C-12	30W	48V (36~72V)	12V	2.5A	1.5KVAC	-20~+60°C	CE / EAC
PSD-30C-24	30W		24V	1.25A			

### PSD-45

Model No.	Wattage	Vin	Vout	Iout	Isolation voltage	Operating temperature	Safety
PSD-45A-05			5V	6A			
PSD-45A-12	30W	12V (9.2~18V)	12V	2.5A	1.5KVAC	-10~+60°C	CB / CE / EAC
PSD-45A-24			24V	1.25A			
PSD-45B-05			5V	9A			
PSD-45B-12	45W	24V (18~36V)	12V	3.75A	1.5KVAC	-10~+60°C	CB / CE / EAC
PSD-45B-24			24V	1.875A			
PSD-45C-05			5V	9A			
PSD-45C-12	45W	48V (36~72V)	12V	3.75A	1.5KVAC	-10~+60°C	CB / CE / EAC
PSD-45C-24			24V	1.875A			

# On Board Type



Automate



Industrial



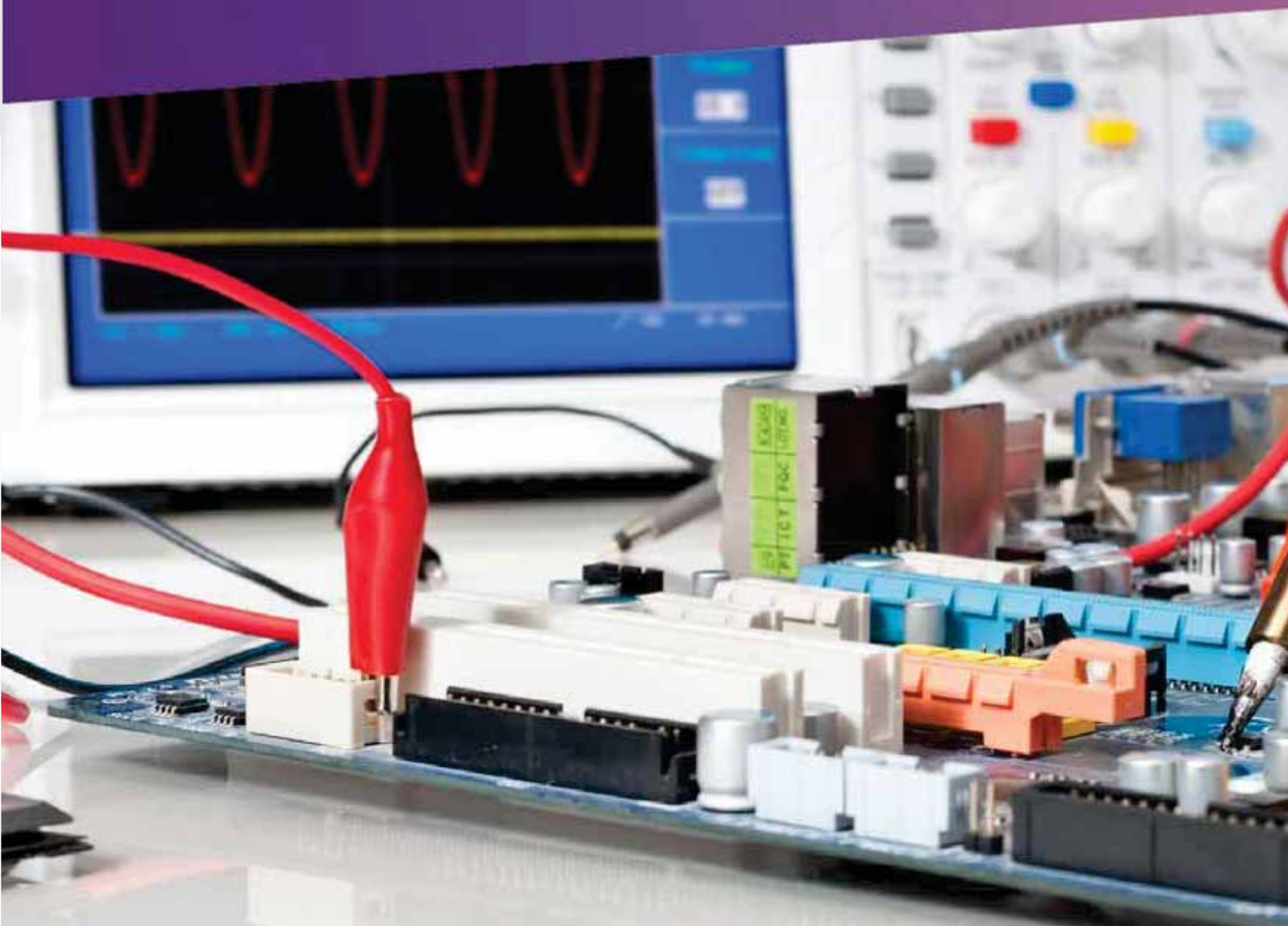
Security



Network



Telecom



## Features

- 5~60W
- Compact size & On board mounting design
- 3:1 or 4:1 wide input range
- Single and dual output models available
- I/O non-isolated (NID series)  
I/O isolated (NSD series)
- Cooling by free air convection
- Remote ON/OFF control, output voltage trimming
- 2 years warranty

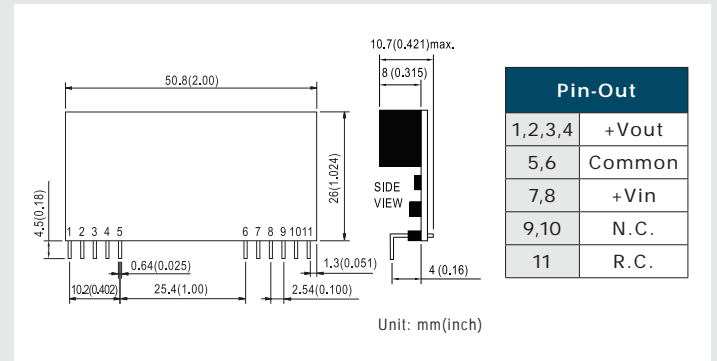
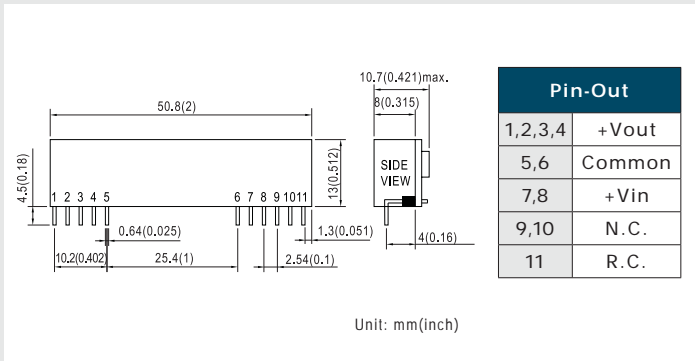
■ On Board Type 5~60W



▲ NID30  
2" x 0.512" x 0.421"



▲ NID60  
2" x 1.024" x 0.421"



■ NID30

Model No.	Wattage	Vin	Vout	Iout	Isolation voltage	Operating temperature	Safety
NID30S24-05	12W	24V (20~53V)	5V	2.5A	NA	-25~+65°C	EAC
NID30S24-12	30W	24V (20~53V)	12V	2.5A			
NID30S24-15	30W	24V (20~53V)	15V	2A			
NID30S48-24	30W	48V (30~53V)	24V	1.25A			

■ NID60

Model No.	Wattage	Vin	Vout	Iout	Isolation voltage	Operating temperature	Safety
NID60S24-05	20W	24V (20~53V)	5V	4A	NA	-25~+65°C	EAC
NID60S24-12	48W	24V (20~53V)	12V	4A			
NID60S24-15	60W	24V (20~53V)	15V	4A			
NID60S48-24	60W	48V (30~53V)	24V	2.5A			

## NID35/65/100 Series

### 35W/65W/100W New Generation Non-Isolated DC/DC converter

- Economical design
- 20~53Vdc wide input range
- High efficiency up to 95%
- 30~+85°C working temperature
- Built-in remote ON/OFF control, trimming output (optional)
- Cooling by free air convection



Under Development

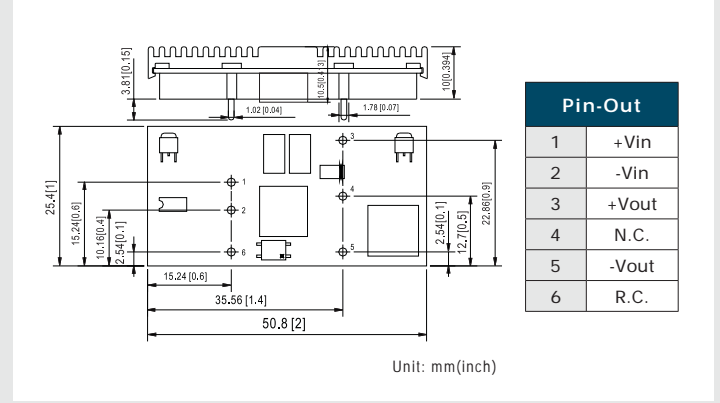
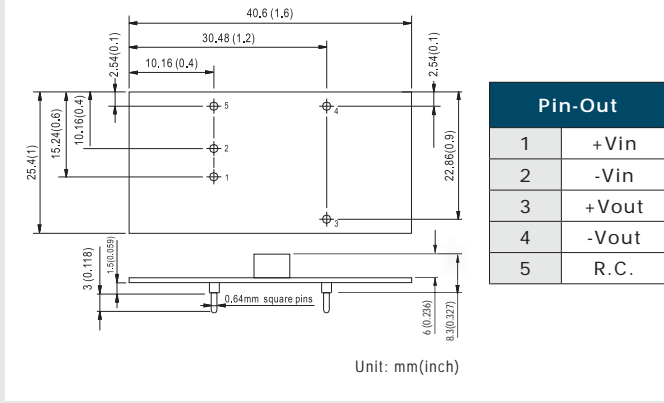
- Output models : 5V/12V/24V
- Compact size, Dimension (LxWxH) :  
35W/65W - 50.8 x 11 x 13mm ,  
100W - 50.8 x 11x 26mm
- 3 years warranty



▲ NSD05-S  
1.6" x 1" x 0.327"



▲ NSD10-S  
2" x 1" x 0.394"



### NSD05-S

Model No.	Wattage	Vin	Vout	Iout	Isolation voltage	Operating temperature	Safety
NSD05-12S3	4W		3.3V	1200mA			
NSD05-12S5	5W	12V, 24V	5V	1000mA	1KVDC	-25~+70°C	CB / CE / EAC
NSD05-12S12	5W	(9.2~36V)	12V	420mA			
NSD05-12S15	5W		15V	330mA			
NSD05-48S3	4W		3.3V	1200mA			
NSD05-48S5	5W	24V, 48V	5V	1000mA	1KVDC	-25~+70°C	CB / CE / EAC
NSD05-48S12	5W	(18~72V)	12V	420mA			
NSD05-48S15	5W		15V	330mA			

### NSD10-S

Model No.	Wattage	Vin	Vout	Iout	Isolation voltage	Operating temperature	Safety
NSD10-12S3	8W		3.3V	2500mA			
NSD10-12S5	10W		5V	2000mA	1KVDC	-25~+70°C	UL / CE / EAC
NSD10-12S9	10W	12V, 24V	9V	1100mA			
NSD10-12S12	10W	(9.8~36V)	12V	830mA			
NSD10-12S15	10W		15V	670mA			
NSD10-48S3	8W		3.3V	2500mA			
NSD10-48S5	10W		5V	2000mA	1KVDC	-25~+70°C	UL / CE / EAC
NSD10-48S9	10W	24V, 48V	9V	1100mA			
NSD10-48S12	10W	(22~72V)	12V	830mA			
NSD10-48S15	10W		15V	670mA			

## ■ On Board Type 5~60W



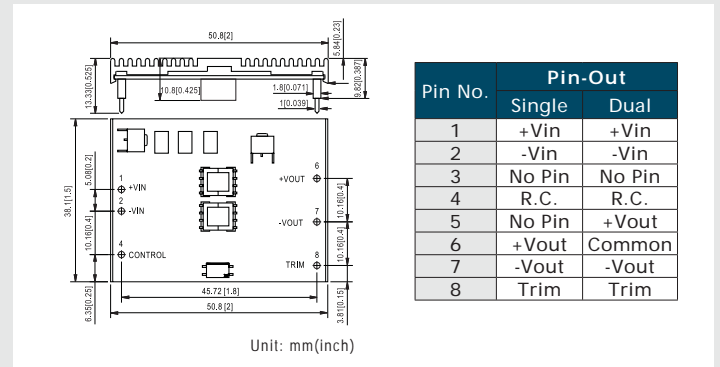
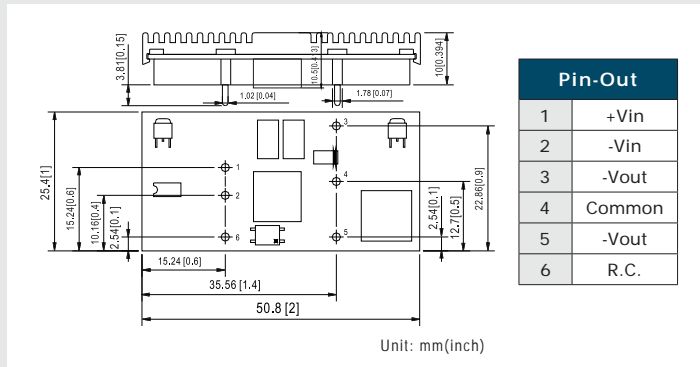
▲ NSD10-D  
2" x 1" x 0.394"



▲ NSD15-S  
2" x 1.5" x 0.387"



▲ NSD15-D  
2" x 1.5" x 0.387"



### ■ NSD10-D

Model No.	Wattage	Vin	Vout	Iout	Isolation voltage	Operating temperature	Safety
NSD10-12D5	10W	12V, 24V (9.8~36V)	±5V	±1000mA	1KVDC	-25~+70°C	UL / CE / EAC
NSD10-12D12			±12V	±420mA			
NSD10-12D15			±15V	±330mA			
NSD10-48D5	10W	24V, 48V (22~72V)	±5V	±1000mA	1KVDC	-25~+70°C	UL / CE / EAC
NSD10-48D12			±12V	±420mA			
NSD10-48D15			±15V	±330mA			

### ■ NSD15-S

Model No.	Wattage	Vin	Vout	Iout	Isolation voltage	Operating temperature	Safety
NSD15-12S3	12W	12V, 24V (9.4~36V)	3.3V	3750mA	1.5KVDC	-25~+70°C	UL / CE / EAC
NSD15-12S5	15W		5V	3000mA			
NSD15-12S12	15W		12V	1250mA			
NSD15-12S15	15W		15V	1000mA			
NSD15-48S3	12W	24V, 48V (18~72V)	3V	3750mA	1.5KVDC	-25~+70°C	UL / CE / EAC
NSD15-48S5	15W		5V	3000mA			
NSD15-48S12	15W		12V	1250mA			
NSD15-48S15	15W		15V	1000mA			

### ■ NSD15-D

Model No.	Wattage	Vin	Vout	Iout	Isolation voltage	Operating temperature	Safety
NSD15-12D5	15W	12V, 24V (9.4~36V)	±5V	±1500mA	1.5KVDC	-25~+70°C	UL / CE / EAC
NSD15-12D12			±12V	±620mA			
NSD15-12D15			±15V	±500mA			
NSD15-48D5	15W	24V, 48V (18~72V)	±5V	±1500mA	1.5KVDC	-25~+70°C	UL / CE / EAC
NSD15-48D12			±12V	±620mA			
NSD15-48D15			±15V	±500mA			

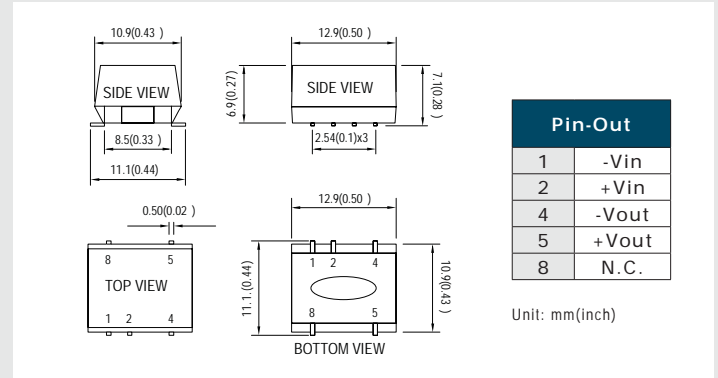
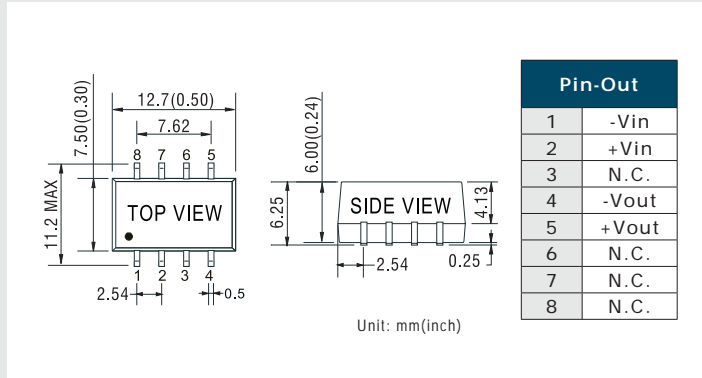
# Module Type



## Features

- 0.5~150W complete wattage
- Various packages:  
SIP, SMD, DIP, 1"x1", 2"x 1", 2"x 2", Half-Brick
- Miniature size and extremely low profile
- $\pm 10\%$ , 2:1 or 4:1 input range
- Single, dual and triple output model available
- I/O isolated
- Compliance to **EN50155 railway standard (RSDW/RDDW 08~20)**
- Compliance to **EN55032 without additional components**
- **-40~+90°C** operating temperature
- Encapsulated type
- Cooling by free air convection
- 1~3 years warranty

SMD package | Unregulated 1W | ±10% Vin | Single Vo



SBT01

Model No.	Wattage	Vin	Vout	Iout	Isolation voltage	Operating temperature	Safety
SBT01L-05	1W	5V (4.5~5.5V)	5V	200mA	1KVDC	-40~+85°C	UL
SBT01L-09			9V	111mA			
SBT01L-12			12V	84mA			
SBT01L-15			15V	67mA			
SBT01M-05	1W	12V (10.8~13.2V)	5V	200mA	1KVDC	-40~+85°C	UL
SBT01M-09			9V	111mA			
SBT01M-12			12V	84mA			
SBT01M-15			15V	67mA			

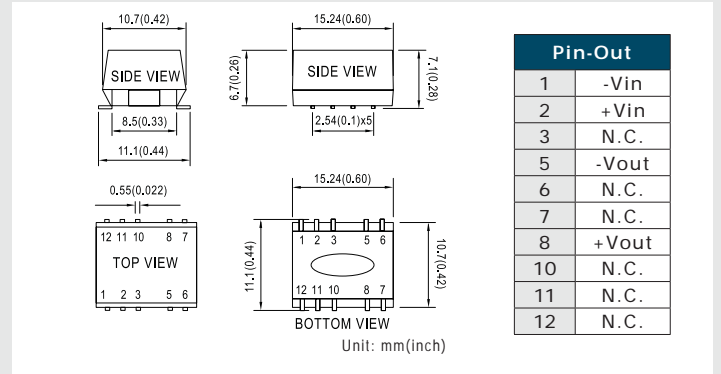
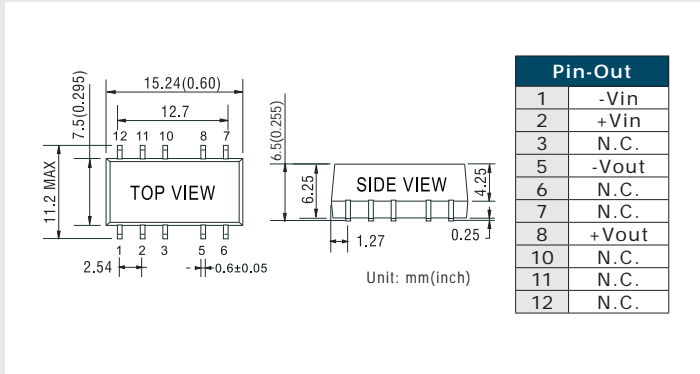
SBTN01

Model No.	Wattage	Vin	Vout	Iout	Isolation voltage	Operating temperature	Safety
SBTN01L-05	1W	5V (4.5~5.5V)	5V	200mA	1.5KVDC	-40~+90°C	CE / EAC
SBTN01L-12			12V	84mA			
SBTN01L-15			15V	67mA			
SBTN01M-05	1W	12V (10.8~13.2V)	5V	200mA	1.5KVDC	-40~+90°C	CE / EAC
SBTN01M-12			12V	84mA			
SBTN01M-15			15V	67mA			
SBTN01N-05	1W	24V (21.6~26.4V)	5V	200mA	1.5KVDC	-40~+90°C	CE / EAC
SBTN01N-12			12V	84mA			
SBTN01N-15			15V	67mA			

► -40~+105°C operating temperature with continuous short protection (optional model for SBTN01x-xxSC).



SMD package | Unregulated 1W | ±10% Vin | Single Vo



### SFT01

Model No.	Wattage	Vin	Vout	Iout	Isolation voltage	Operating temperature	Safety
SFT01L-05	1W	5V (4.5~5.5V)	5V	200mA	3KVDC	-40~+85°C	UL
SFT01L-09			9V	111mA			
SFT01L-12			12V	84mA			
SFT01L-15			15V	67mA			
SFT01M-05	1W	12V (10.8~13.2V)	5V	200mA	3KVDC	-40~+85°C	UL
SFT01M-12			12V	84mA			
SFT01M-15			15V	67mA			

### SFTN01

Model No.	Wattage	Vin	Vout	Iout	Isolation voltage	Operating temperature	Safety
SFTN01L-05	1W	5V (4.5~5.5V)	5V	200mA	3KVDC	-40~+90°C	CE / EAC
SFTN01L-12			12V	84mA			
SFTN01L-15			15V	67mA			
SFTN01M-05	1W	12V (10.8~13.2V)	5V	200mA	3KVDC	-40~+90°C	CE / EAC
SFTN01M-12			12V	84mA			
SFTN01M-15			15V	67mA			
SFTN01N-05	1W	24V (21.6~26.4V)	5V	200mA	3KVDC	-40~+90°C	CE / EAC
SFTN01N-12			12V	84mA			
SFTN01N-15			15V	67mA			

► -40~+100°C operating temperature with continuous short protection (optional model for SFTN01x-xxSC).

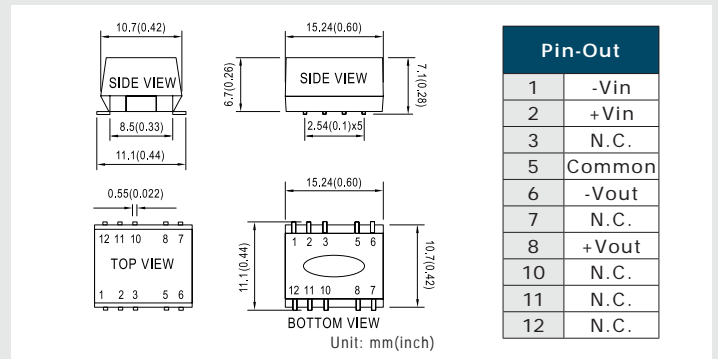
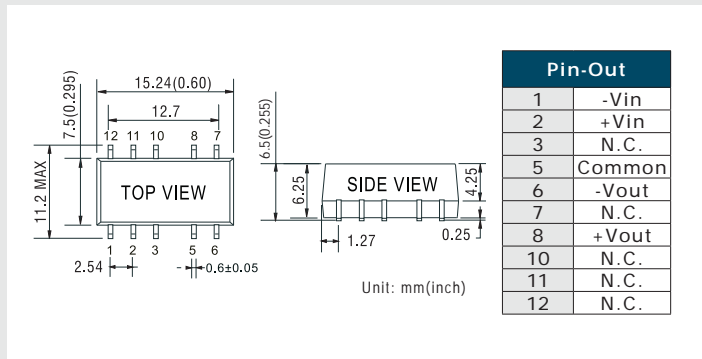
**SMD package**      Unregulated 1W    |     $\pm 10\%$  Vin    |    Dual Vo



▲ **DET01**  
0.60" x 0.295" x 0.255"



▲ **DETN01**  
0.60" x 0.42" x 0.28"



**DET01**

Model No.	Wattage	Vin	Vout	Iout	Isolation voltage	Operating temperature	Safety
DET01L-05	1W	5V (4.5~5.5V)	±5V	±100mA	3KVDC	-40~+85°C	UL
DET01L-09			±9V	±56mA			
DET01L-12			±12V	±42mA			
DET01L-15			±15V	±33mA			
DET01M-05	1W	12V (10.8~13.2V)	±5V	±100mA	3KVDC	-40~+85°C	UL
DET01M-09			±9V	±56mA			
DET01M-12			±12V	±42mA			
DET01M-15			±15V	±33mA			

**DETN01**

Model No.	Wattage	Vin	Vout	Iout	Isolation voltage	Operating temperature	Safety
DETN01L-05	1W	5V (4.5~5.5V)	±5V	±100mA	3KVDC	-40~+90°C	CE / EAC
DETN01L-12			±12V	±42mA			
DETN01L-15			±15V	±34mA			
DETN01M-05	1W	12V (10.8~13.2V)	±5V	±100mA	3KVDC	-40~+90°C	CE / EAC
DETN01M-12			±12V	±42mA			
DETN01M-15			±15V	±34mA			
DETN01N-05	1W	24V (21.6~26.4V)	±5V	±100mA	3KVDC	-40~+90°C	CE / EAC
DETN01N-12			±12V	±42mA			
DETN01N-15			±15V	±34mA			

▶ -40~+100°C operating temperature with continuous short protection (optional model for DETN01x-xxSC).

SIP package

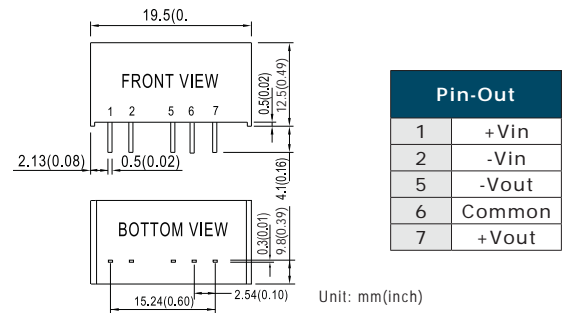
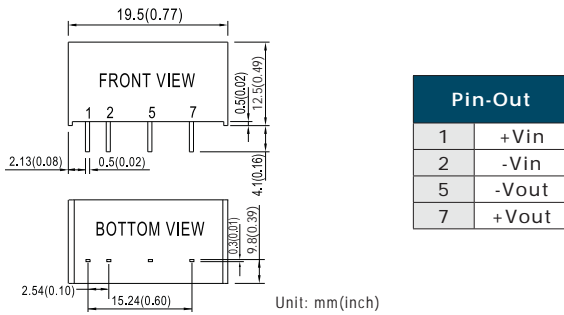
Medical grade unregulated 1W | ±10% Vin | Single/Dual Vo



▲ MDS01  
0.77" x 0.39" x 0.49"



▲ MDD01  
0.77" x 0.39" x 0.49"



MDS01



Model No.	Wattage	Vin	Vout	Iout	Isolation voltage	Operating temperature	Safety
MDS01L-03	1W	5V (4.5~5.5V)	3.3V	303mA	6KVDC	-40~+85°C	UL / CE
MDS01L-05			5V	200mA			
MDS01L-12			12V	84mA			
MDS01L-15			15V	67mA			
MDS01M-05	1W	12V (10.8~13.2V)	5V	200mA	6KVDC	-40~+85°C	UL / CE
MDS01M-12			12V	84mA			
MDS01M-15			15V	67mA			
MDS01N-05	1W	24V (21.6~26.4V)	5V	200mA	6KVDC	-40~+85°C	UL / CE
MDS01N-12			12V	84mA			
MDS01N-15			15V	67mA			

MDD01



Model No.	Wattage	Vin	Vout	Iout	Isolation voltage	Operating temperature	Safety
MDD01L-05	1W	5V (4.5~5.5V)	±5V	±100mA	6KVDC	-40~+85°C	UL / CE
MDD01L-09			±9V	±56mA			
MDD01L-12			±12V	±42mA			
MDD01L-15			±15V	±34mA			
MDD01M-05	1W	12V (10.8~13.2V)	±5V	±100mA	6KVDC	-40~+85°C	UL / CE
MDD01M-09			±9V	±56mA			
MDD01M-12			±12V	±42mA			
MDD01M-15			±15V	±34mA			
MDD01N-05	1W	24V (21.6~26.4V)	±5V	±100mA	6KVDC	-40~+85°C	UL / CE
MDD01N-09			±9V	±56mA			
MDD01N-12			±12V	±42mA			
MDD01N-15			±15V	±34mA			

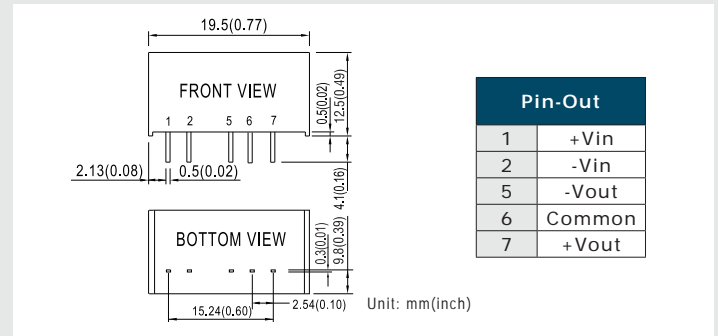
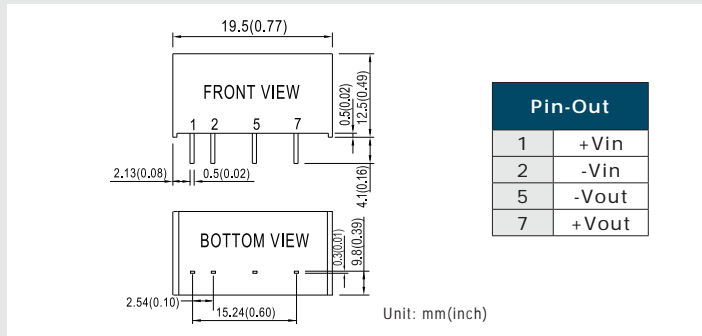
**SIP package** Medical grade unregulated 2W |  $\pm 10\%$  Vin | Single/Dual Vo



▲ MDS02  
0.77" x 0.39" x 0.49"



▲ MDD02  
0.77" x 0.39" x 0.49"



**MDS02**



Model No.	Wattage	Vin	Vout	Iout	Isolation voltage	Operating temperature	Safety
MDS02L-05	2W	5V (4.5~5.5V)	5V	400mA	6KVDC	-40~+85°C	UL / CE
MDS02L-12			12V	167mA			
MDS02L-15			15V	133mA			
MDS02M-05	2W	12V (10.8~13.2V)	5V	400mA	6KVDC	-40~+85°C	UL / CE
MDS02M-12			12V	167mA			
MDS02M-15			15V	133mA			
MDS02N-05	2W	24V (21.6~26.4V)	5V	400mA	6KVDC	-40~+85°C	UL / CE
MDS02N-12			12V	167mA			
MDS02N-15			15V	133mA			

**MDD02**



Model No.	Wattage	Vin	Vout	Iout	Isolation voltage	Operating temperature	Safety
MDD02L-05	2W	5V (4.5~5.5V)	$\pm 5V$	$\pm 200mA$	6KVDC	-40~+85°C	UL / CE
MDD02L-09			$\pm 9V$	$\pm 111mA$			
MDD02L-12			$\pm 12V$	$\pm 83mA$			
MDD02L-15			$\pm 15V$	$\pm 67mA$			
MDD02M-05	2W	12V (10.8~13.2V)	$\pm 5V$	$\pm 200mA$	6KVDC	-40~+85°C	UL / CE
MDD02M-09			$\pm 9V$	$\pm 111mA$			
MDD02M-12			$\pm 12V$	$\pm 83mA$			
MDD02M-15			$\pm 15V$	$\pm 67mA$			
MDD02N-05	2W	24V (21.6~26.4V)	$\pm 5V$	$\pm 200mA$	6KVDC	-40~+85°C	UL / CE
MDD02N-09			$\pm 9V$	$\pm 111mA$			
MDD02N-12			$\pm 12V$	$\pm 83mA$			
MDD02N-15			$\pm 15V$	$\pm 67mA$			

SIP package

Unregulated 1W/2W

±10% Vin

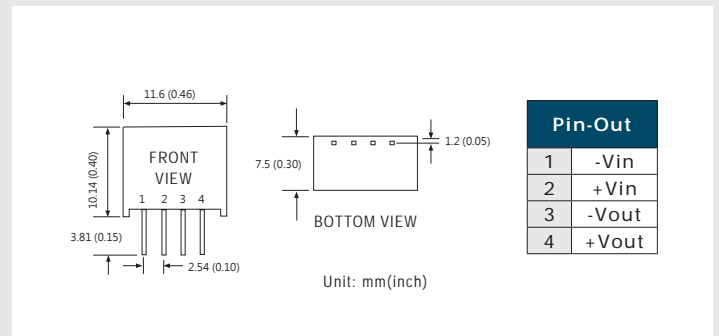
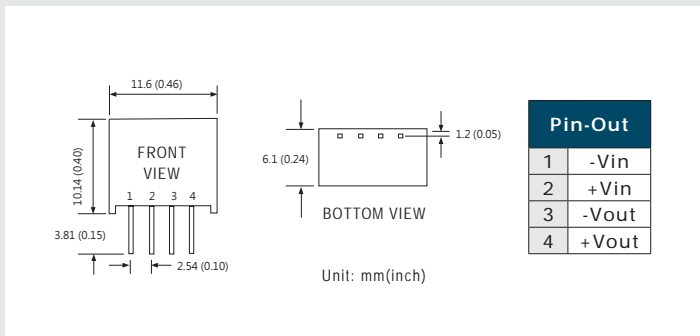
Single Vo



▲ SMU01  
0.46" x 0.24" x 0.4"



▲ SMU02  
0.46" x 0.3" x 0.4"



SMU01

Model No.	Wattage	Vin	Vout	Iout	Isolation voltage	Operating temperature	Safety
SMU01L-05	1W	5V (4.5~5.5V)	5V	200mA	1.5KVDC	-40~+90°C	FCC / CE / EAC
SMU01L-09			9V	110mA			
SMU01L-12			12V	84mA			
SMU01L-15			15V	67mA			
SMU01M-05	1W	12V (10.8~13.2V)	5V	200mA	1.5KVDC	-40~+90°C	FCC / CE / EAC
SMU01M-09			9V	110mA			
SMU01M-12			12V	84mA			
SMU01M-15			15V	67mA			
SMU01N-05	1W	24V (21.6~26.4V)	5V	200mA	1.5KVDC	-40~+90°C	FCC / CE / EAC
SMU01N-09			9V	110mA			
SMU01N-12			12V	84mA			
SMU01N-15			15V	67mA			

SMU02

Model No.	Wattage	Vin	Vout	Iout	Isolation voltage	Operating temperature	Safety
SMU02L-05	2W	5V (4.5~5.5V)	5V	400mA	1.5KVDC	-40~+85°C	FCC / CE / EAC
SMU02L-12			12V	167mA			
SMU02L-15			15V	133mA			
SMU02M-05	2W	12V (10.8~13.2V)	5V	400mA	1.5KVDC	-40~+85°C	FCC / CE / EAC
SMU02M-12			12V	167mA			
SMU02M-15			15V	133mA			
SMU02N-05	2W	24V (21.6~26.4V)	5V	400mA	1.5KVDC	-40~+85°C	FCC / CE / EAC
SMU02N-12			12V	167mA			
SMU02N-15			15V	133mA			

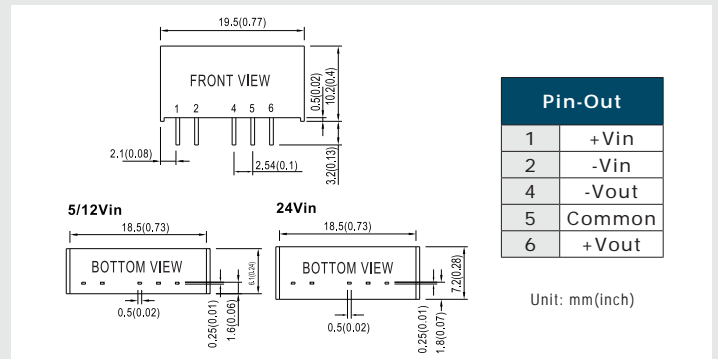
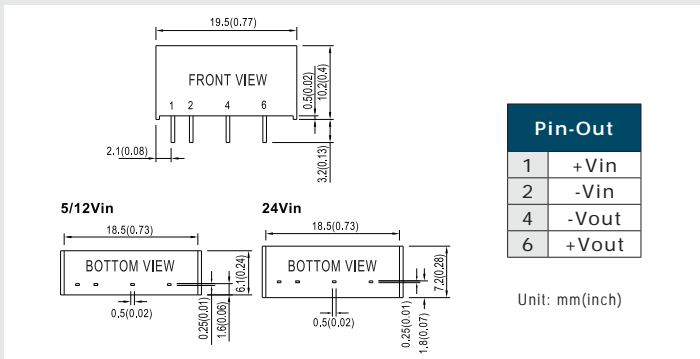
**SIP package**      Unregulated 1W   |    $\pm 10\%$  Vin   |   Single/Dual Vo



▲ **SPU01**  
 0.77" x 0.24" x 0.40" (5/12Vin)  
 0.77" x 0.28" x 0.40" (24Vin)



▲ **DPU01**  
 0.77" x 0.24" x 0.40" (5/12Vin)  
 0.77" x 0.28" x 0.40" (24Vin)



**SPU01**

Model No.	Wattage	Vin	Vout	Iout	Isolation voltage	Operating temp.	Safety
SPU01L-05			5V	200mA			
SPU01L-12	1W	5V (4.5~5.5V)	12V	84mA	1.5KVDC	-40~+90°C	CE / EAC
SPU01L-15			15V	67mA			
SPU01M-05			5V	200mA			
SPU01M-12	1W	12V (10.8~13.2V)	12V	84mA	1.5KVDC	-40~+90°C	CE / EAC
SPU01M-15			15V	67mA			
SPU01N-05			5V	200mA			
SPU01N-12	1W	24V (21.6~26.4V)	12V	84mA	1.5KVDC	-40~+90°C	CE / EAC
SPU01N-15			15V	67mA			

**DPU01**

Model No.	Wattage	Vin	Vout	Iout	Isolation voltage	Operating temp.	Safety
DPU01L-05			$\pm 5V$	$\pm 100mA$			
DPU01L-12	1W	5V (4.5~5.5V)	$\pm 12V$	$\pm 42mA$	1.5KVDC	-40~+90°C	CE / EAC
DPU01L-15			$\pm 15V$	$\pm 33mA$			
DPU01M-05			$\pm 5V$	$\pm 100mA$			
DPU01M-12	1W	12V (10.8~13.2V)	$\pm 12V$	$\pm 42mA$	1.5KVDC	-40~+90°C	CE / EAC
DPU01M-15			$\pm 15V$	$\pm 33mA$			
DPU01N-05			$\pm 5V$	$\pm 100mA$			
DPU01N-12	1W	24V (21.6~26.4V)	$\pm 12V$	$\pm 42mA$	1.5KVDC	-40~+90°C	CE / EAC
DPU01N-15			$\pm 15V$	$\pm 33mA$			

SIP package

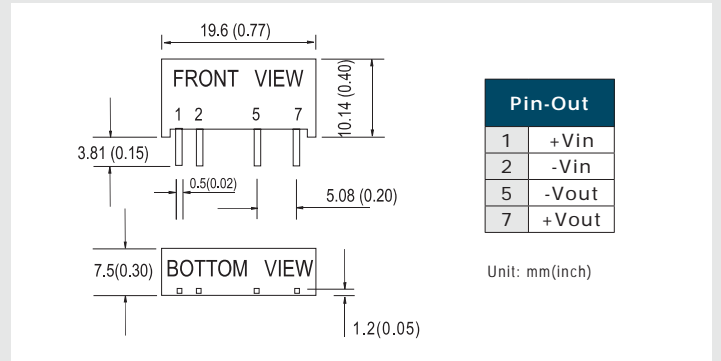
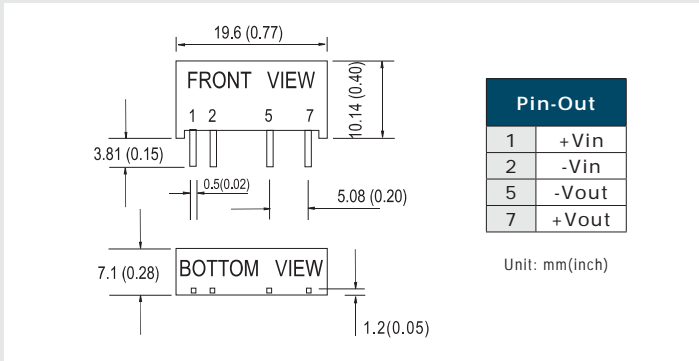
Unregulated 2W/3W | ±10% Vin | Single Vo



▲ SPU02  
0.77" x 0.28" x 0.40"



▲ SPU03  
0.77" x 0.30" x 0.40"



SPU02

Model No.	Wattage	Vin	Vout	Iout	Isolation voltage	Operating temperature	Safety
SPU02L-05			5V	400mA			
SPU02L-12	2W	5V (4.5~5.5V)	12V	167mA	3KVDC	-40~+71°C	CE / FCC / EAC
SPU02L-15			15V	133mA			
SPU02M-05			5V	400mA			
SPU02M-12	2W	12V (10.8~13.2V)	12V	167mA	3KVDC	-40~+71°C	CE / FCC / EAC
SPU02M-15			15V	133mA			
SPU02N-05			5V	400mA			
SPU02N-12	2W	24V (21.6~26.4V)	12V	167mA	3KVDC	-40~+71°C	CE / FCC / EAC
SPU02N-15			15V	133mA			

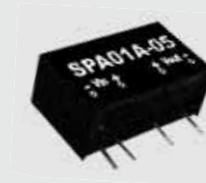
SPU03

Model No.	Wattage	Vin	Vout	Iout	Isolation voltage	Operating temperature	Safety
SPU03L-05			5V	600mA			
SPU03L-12	3W	5V (4.5~5.5V)	12V	250mA	3KVDC	-40~+90°C	CE / FCC / EAC
SPU03L-15			15V	200mA			
SPU03M-05			5V	600mA			
SPU03M-12	3W	12V (10.8~13.2V)	12V	250mA	3KVDC	-40~+90°C	CE / FCC / EAC
SPU03M-15			15V	200mA			
SPU03N-05			5V	600mA			
SPU03N-12	3W	24V (21.6~26.4V)	12V	250mA	3KVDC	-40~+90°C	CE / FCC / EAC
SPU03N-15			15V	200mA			

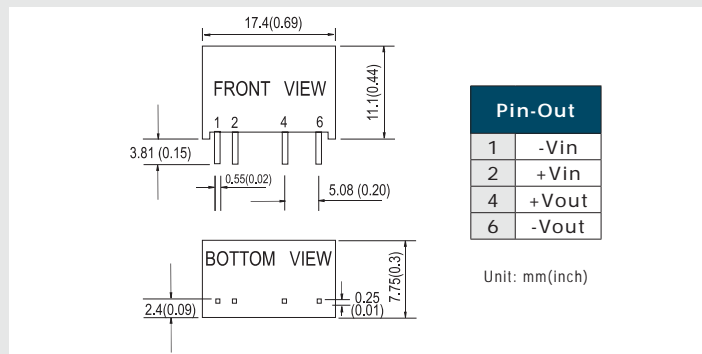
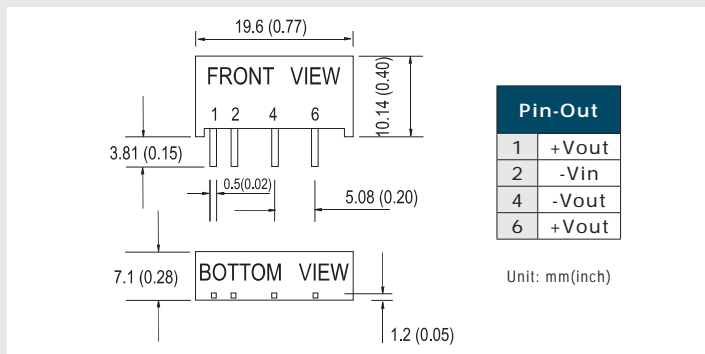
**SIP package**      Regulated 1W   |   ±10% & 2:1 Vin   |   Single Vo



▲ **SPR01**  
0.77" x 0.28" x 0.40"



▲ **SPA01**  
0.69" x 0.3" x 0.44"



**SPR01**

Model No.	Wattage	Vin	Vout	Iout	Isolation voltage	Operating temp.	Safety
SPR01L-05	1W	5V (4.5~5.5V)	5V	200mA	1KVDC	-25~+71°C	FCC / CE / EAC
SPR01L-09			9V	100mA			
SPR01L-12			12V	84mA			
SPR01L-15			15V	67mA			
SPR01M-05	1W	12V (10.8~13.2V)	5V	200mA	1KVDC	-25~+71°C	FCC / CE / EAC
SPR01M-09			9V	100mA			
SPR01M-12			12V	84mA			
SPR01M-15			15V	67mA			
SPR01N-05	1W	24V (21.6~26.4V)	5V	200mA	1KVDC	-25~+71°C	FCC / CE / EAC
SPR01N-09			9V	100mA			
SPR01N-12			12V	84mA			
SPR01N-15			15V	67mA			
SPR01O-05	1W	48V (43.2~52.8V)	5V	200mA	1KVDC	-25~+71°C	FCC / CE / EAC
SPR01O-09			9V	100mA			
SPR01O-12			12V	84mA			
SPR01O-15			15V	67mA			

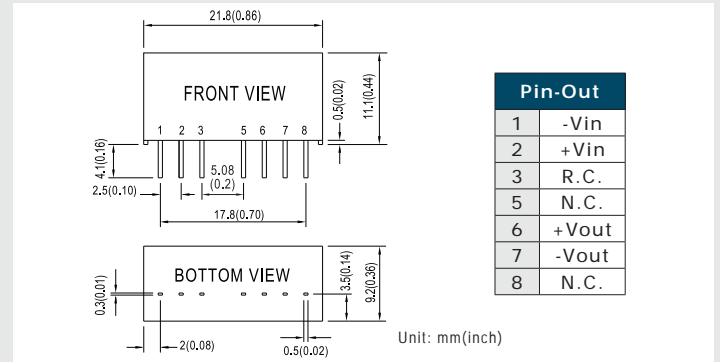
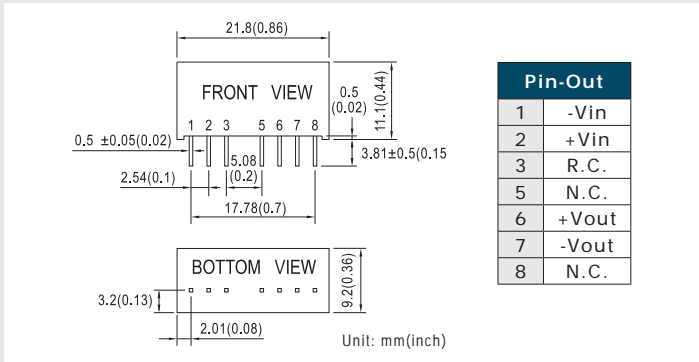
**SPA01**

Model No.	Wattage	Vin	Vout	Iout	Isolation voltage	Operating temp.	Safety
SPA01A-05	1W	12V (9~18V)	5V	200mA	1.5KVDC	-40~+90°C	FCC / CE / EAC
SPA01A-12			12V	83mA			
SPA01A-15			15V	67mA			
SPA01B-05	1W	24V (18~36V)	5V	200mA	1.5KVDC	-40~+90°C	FCC / CE / EAC
SPA01B-12			12V	83mA			
SPA01B-15			15V	67mA			
SPA01C-05	1W	48V (36~72V)	5V	200mA	1.5KVDC	-40~+90°C	FCC / CE / EAC
SPA01C-12			12V	83mA			
SPA01C-15			15V	67mA			



SIP package

Regulated 2W | 2:1 Vin | Single Vo



SPA02

Model No.	Wattage	Vin	Vout	Iout	Isolation voltage	Operating temperature	Safety
SPA02E-05	2W	5V (4.5~9V)	5V	400mA	1KVDC	-40~+85°C	FCC / CE / EAC
SPA02E-12			12V	150mA			
SPA02E-15			15V	120mA			
SPA02A-05	2W	12V (9~18V)	5V	400mA	1KVDC	-40~+85°C	FCC / CE / EAC
SPA02A-12			12V	167mA			
SPA02A-15			15V	134mA			
SPA02B-05	2W	24V (18~36V)	5V	400mA	1KVDC	-40~+85°C	FCC / CE / EAC
SPA02B-12			12V	167mA			
SPA02B-15			15V	134mA			
SPA02C-05	2W	48V (36~72V)	5V	400mA	1KVDC	-40~+85°C	FCC / CE / EAC
SPA02C-12			12V	167mA			
SPA02C-15			15V	134mA			

SPAN02

Model No.	Wattage	Vin	Vout	Iout	Isolation voltage	Operating temperature	Safety
SPAN02E-03	2W	5V (4.5~9V)	3.3V	500mA	1.5KVDC	-40~+90°C	CE / EAC
SPAN02E-05			5V	400mA			
SPAN02E-12			12V	167mA			
SPAN02E-15			15V	134mA			
SPAN02A-03	2W	12V (9~18V)	3.3V	500mA	1.5KVDC	-40~+90°C	CE / EAC
SPAN02A-05			5V	400mA			
SPAN02A-12			12V	167mA			
SPAN02A-15	2W	24V (18~36V)	15V	134mA	1.5KVDC	-40~+90°C	CE / EAC
SPAN02B-03			3.3V	500mA			
SPAN02B-05			5V	400mA			
SPAN02B-12	2W	48V (36~75V)	12V	167mA	1.5KVDC	-40~+90°C	CE / EAC
SPAN02B-15			15V	134mA			
SPAN02C-03			3.3V	500mA			
SPAN02C-05	2W	48V (36~75V)	5V	400mA	1.5KVDC	-40~+90°C	CE / EAC
SPAN02C-12			12V	167mA			
SPAN02C-15			15V	134mA			

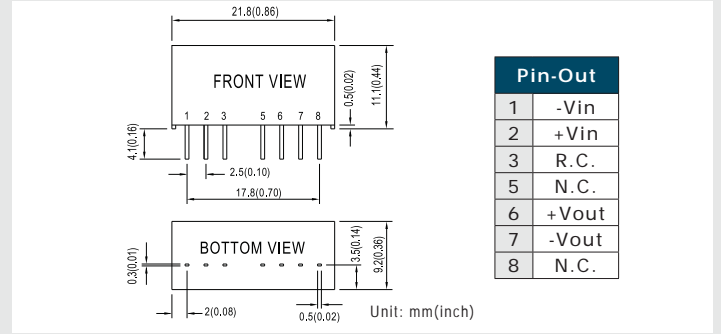
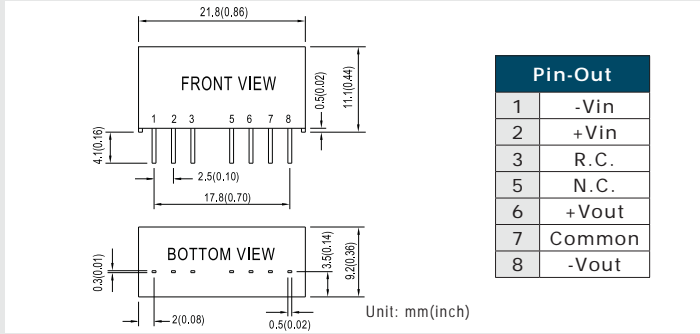
**SIP package** | Regulated 2W/3W | 2:1 Vin | Single/Dual Vo



▲ DPAN02  
0.86" x 0.36" x 0.44"



▲ SPB03  
0.86" x 0.36" x 0.44"



**DPAN02**

Model No.	Wattage	Vin	Vout	Iout	Isolation voltage	Operating temperature	Safety
DPAN02E-05	2W	5V (4.5~9V)	±5V	±200mA	1.5KVDC	-40~+90°C	CE / EAC
DPAN02E-12			±12V	±83mA			
DPAN02E-15			±15V	±67mA			
DPAN02A-05	2W	12V (9~18V)	±5V	±200mA	1.5KVDC	-40~+90°C	CE / EAC
DPAN02A-12			±12V	±83mA			
DPAN02A-15			±15V	±67mA			
DPAN02B-05	2W	24V (18~36V)	±5V	±200mA	1.5KVDC	-40~+90°C	CE / EAC
DPAN02B-12			±12V	±83mA			
DPAN02B-15			±15V	±67mA			
DPAN02C-05	2W	48V (36~75V)	±5V	±200mA	1.5KVDC	-40~+90°C	CE / EAC
DPAN02C-12			±12V	±83mA			
DPAN02C-15			±15V	±67mA			

**SPB03**

Model No.	Wattage	Vin	Vout	Iout	Isolation voltage	Operating temperature	Safety
SPB03E-05	3W	5V (4.5~9V)	5V	600mA	1KVDC	-40~+85°C	FCC / CE / EAC
SPB03E-12			12V	250mA			
SPB03E-15			15V	200mA			
SPB03A-05	3W	12V (9~18V)	5V	600mA	1KVDC	-40~+85°C	FCC / CE / EAC
SPB03A-12			12V	250mA			
SPB03A-15			15V	200mA			
SPB03B-05	3W	24V (18~36V)	5V	600mA	1KVDC	-40~+85°C	FCC / CE / EAC
SPB03B-12			12V	250mA			
SPB03B-15			15V	200mA			
SPB03C-05	3W	48V (36~72V)	5V	600mA	1KVDC	-40~+85°C	FCC / CE / EAC
SPB03C-12			12V	250mA			
SPB03C-15			15V	200mA			

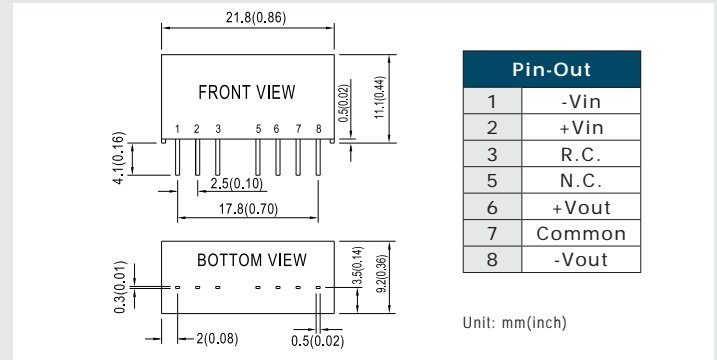
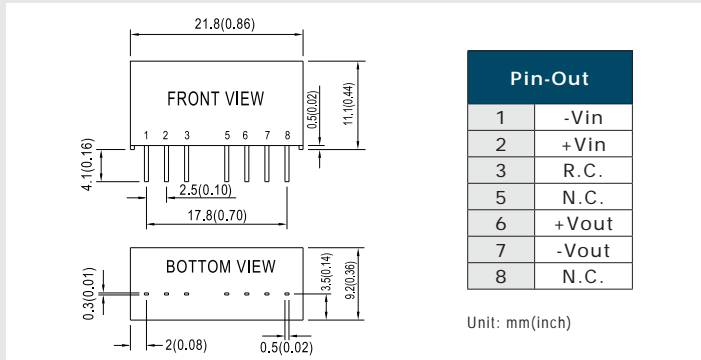
SIP package Regulated 3W | 4:1 Vin | Single/Dual Vo



▲ SPBW03  
0.86" x 0.36" x 0.44"



▲ DPBW03  
0.86" x 0.36" x 0.44"



SPBW03

Model No.	Wattage	Vin	Vout	Iout	Isolation voltage	Operating temperature	Safety
SPBW03F-03	3W	12V, 24V (9~36V)	3.3V	700mA	1.5KVDC	-40~+85°C	CE / EAC
SPBW03F-05			5V	600mA			
SPBW03F-12			12V	250mA			
SPBW03F-15			15V	200mA			
SPBW03G-03	3W	24V, 48V (18~75V)	3V	700mA	1.5KVDC	-40~+85°C	CE / EAC
SPBW03G-05			5V	600mA			
SPBW03G-12			12V	250mA			
SPBW03G-15			15V	200mA			

DPBW03

Model No.	Wattage	Vin	Vout	Iout	Isolation voltage	Operating temperature	Safety
DPBW03F-05	3W	12V, 24V (9~36V)	±5V	±300mA	1.5KVDC	-40~+85°C	CE / EAC
DPBW03F-12			±12V	±125mA			
DPBW03F-15			±15V	±100mA			
DPBW03G-05	3W	24V, 48V (18~75V)	±5V	±300mA	1.5KVDC	-40~+85°C	CE / EAC
DPBW03G-12			±12V	±125mA			
DPBW03G-15			±15V	±100mA			

**SIP package** | Regulated 5W/6W | 2:1/4:1 Vin | Single/Dual Vo



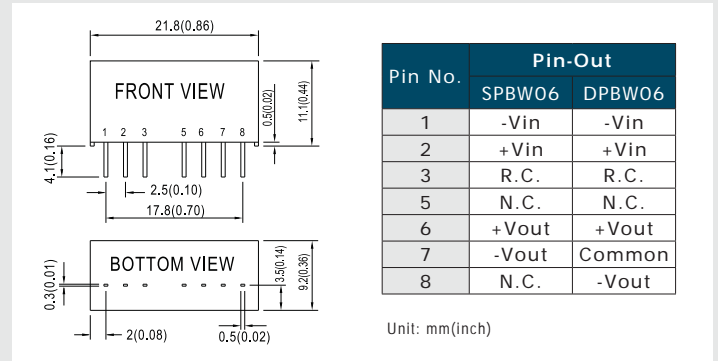
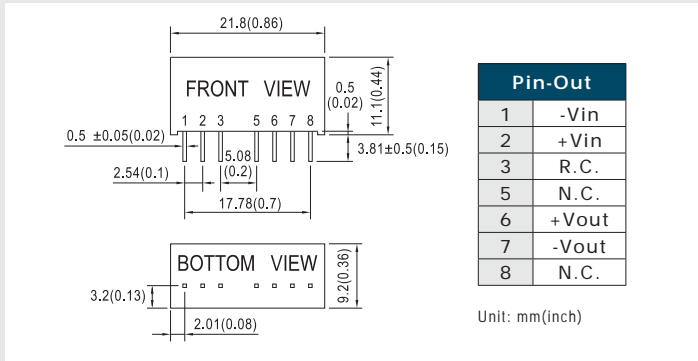
▲ SPB05  
0.86" x 0.36" x 0.44"



▲ SPBW06  
0.86" x 0.36" x 0.44"



▲ DPBW06  
0.86" x 0.36" x 0.44"



**SPB05**

Model No.	Wattage	Vin	Vout	Iout	Isolation voltage	Operating temperature	Safety
SPB05A-05	5W	12V (9~18V)	5V	1000mA	1.5KVDC	-40~+80°C	FCC / CE / EAC
SPB05A-12			12V	417mA			
SPB05A-15			15V	333mA			
SPB05B-05	5W	24V (18~36V)	5V	1000mA	1.5KVDC	-40~+80°C	FCC / CE / EAC
SPB05B-12			12V	417mA			
SPB05B-15			15V	333mA			
SPB05C-05	5W	48V (36~72V)	5V	1000mA	1.5KVDC	-40~+80°C	FCC / CE / EAC
SPB05C-12			12V	417mA			
SPB05C-15			15V	333mA			

**SPBW06**

Model No.	Wattage	Vin	Vout	Iout	Isolation voltage	Operating temperature	Safety
SPBW06F-03	6W	12V, 24V (9~36V)	3.3V	1500mA	1.5KVDC	-40~+85°C	CE / EAC
SPBW06F-05			5V	1200mA			
SPBW06F-12			12V	500mA			
SPBW06F-15			15V	400mA			
SPBW06G-03	6W	24V, 48V (18~75V)	3.3V	1500mA	1.5KVDC	-40~+85°C	CE / EAC
SPBW06G-05			5V	1200mA			
SPBW06G-12			12V	500mA			
SPBW06G-15			15V	400mA			

**DPBW06**

Model No.	Wattage	Vin	Vout	Iout	Isolation voltage	Operating temperature	Safety
DPBW06F-05	6W	12V, 24V (9~36V)	±5V	±600mA	1.5KVDC	-40~+85°C	CE / EAC
DPBW06F-12			±12V	±250mA			
DPBW06F-15			±15V	±200mA			
DPBW06G-05	6W	24V, 48V (18~75V)	±5V	±600mA	1.5KVDC	-40~+85°C	CE / EAC
DPBW06G-12			±12V	±250mA			
DPBW06G-15			±15V	±200mA			

DIP16 package

Unregulated 0.5W/1W

±10% Vin

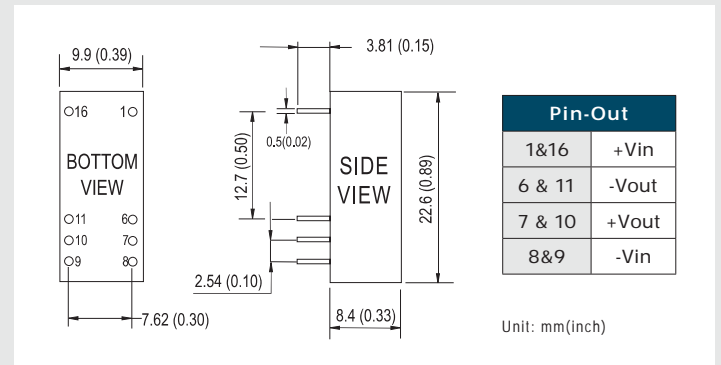
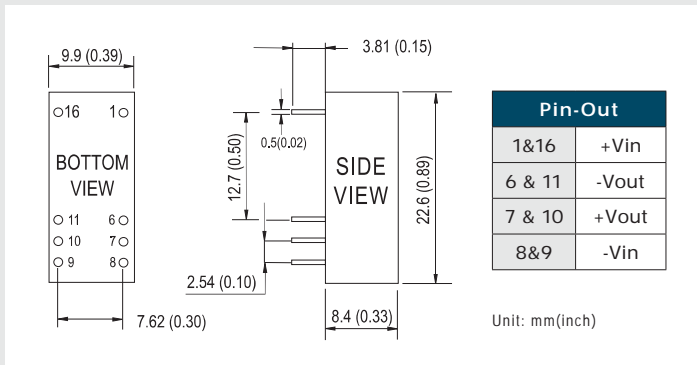
Single Vo



▲ SRS  
0.89" x 0.39" x 0.33"



▲ SUS01  
0.89" x 0.39" x 0.33"



SRS

Model No.	Wattage	Vin	Vout	Iout	Isolation voltage	Operating temperature	Safety
SRS-0505	0.5W	5V (4.5~5.5V)	5V	100mA	1KVDC	-25~+71°C	FCC / CE / EAC
SRS-0509			9V	56mA			
SRS-0512			12V	42mA			
SRS-0515			15V	34mA			
SRS-1205	0.5W	12V (10.8~13.2V)	5V	100mA	1KVDC	-25~+71°C	FCC / CE / EAC
SRS-1209			9V	56mA			
SRS-1212			12V	42mA			
SRS-1215			15V	34mA			
SRS-2405	0.5W	24V (21.6~26.4V)	5V	100mA	1KVDC	-25~+71°C	FCC / CE / EAC
SRS-2409			9V	56mA			
SRS-2412			12V	42mA			
SRS-2415			15V	34mA			
SRS-4805	0.5W	48V (43.2~52.8V)	5V	100mA	1KVDC	-25~+71°C	FCC / CE / EAC
SRS-4809			9V	56mA			
SRS-4812			12V	42mA			
SRS-4815			15V	34mA			

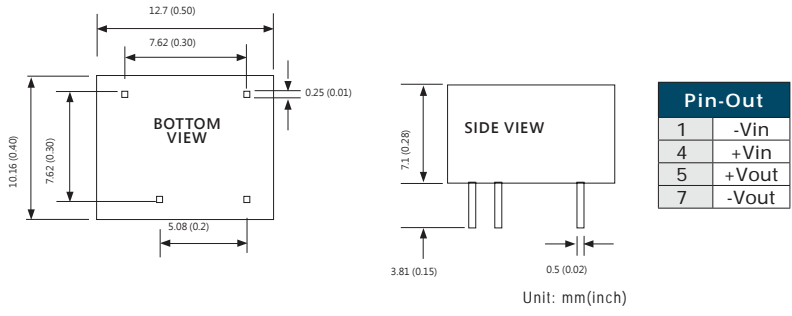
SUS01

Model No.	Wattage	Vin	Vout	Iout	Isolation voltage	Operating temperature	Safety
SUS01L-05	1W	5V (4.5~5.5V)	5V	200mA	1KVDC	-25~+71°C	FCC / CE / EAC
SUS01L-09			9V	111mA			
SUS01L-12			12V	84mA			
SUS01L-15			15V	67mA			
SUS01M-05	1W	12V (10.8~13.2V)	5V	200mA	1KVDC	-25~+71°C	FCC / CE / EAC
SUS01M-09			9V	111mA			
SUS01M-12			12V	84mA			
SUS01M-15			15V	67mA			
SUS01N-05	1W	24V (21.6~26.4V)	5V	200mA	1KVDC	-25~+71°C	FCC / CE / EAC
SUS01N-09			9V	111mA			
SUS01N-12			12V	84mA			
SUS01N-15			15V	67mA			
SUS01O-05	1W	48V (43.2~52.8V)	5V	200mA	1KVDC	-25~+71°C	FCC / CE / EAC
SUS01O-09			9V	111mA			
SUS01O-12			12V	84mA			
SUS01O-15			15V	67mA			

**DIP7 package**      Unregulated 1W   |   ±10% Vin   |   Single Vo



▲ SMA01  
0.50" x 0.40" x 0.28"



■ SMA01

Model No.	Wattage	Vin	Vout	Iout	Isolation voltage	Operating temperature	Safety
SMA01L-05	1W	5V (4.5~5.5V)	5V	200mA	1.5KVDC	-40~+90°C	FCC / CE / EAC
SMA01L-09			9V	110mA			
SMA01L-12			12V	84mA			
SMA01L-15			15V	67mA			
SMA01M-05			5V	200mA			
SMA01M-09	1W	12V (10.8~13.2V)	9V	110mA	1.5KVDC	-40~+90°C	FCC / CE / EAC
SMA01M-12			12V	84mA			
SMA01M-15			15V	67mA			
SMA01N-05			5V	200mA			
SMA01N-09	1W	24V (21.6~26.4V)	9V	110mA	1.5KVDC	-40~+90°C	FCC / CE / EAC
SMA01N-12			12V	84mA			
SMA01N-15			15V	67mA			

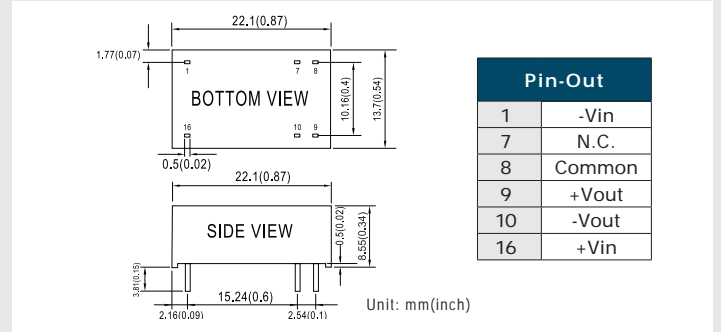
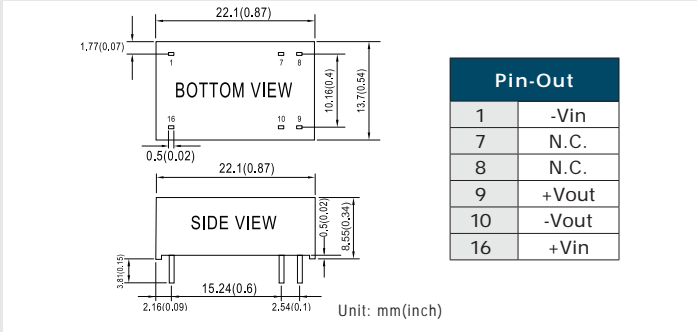
**DIP16 package**    Regulated 3W    |    2:1 Vin    |    Single/Dual Vo    |    Small size and low profile



▲ SLC03  
0.87" x 0.54" x 0.34"



▲ DLC03  
0.87" x 0.54" x 0.34"



**SLC03**

Model No.	Wattage	Vin	Vout	Iout	Isolation voltage	Operating temperature	Safety
SLC03A-05	3W	12V (9~18V)	5V	600mA	1.5KVDC	-40~+85°C	CE / EAC
SLC03A-12			12V	250mA			
SLC03A-15			15V	200mA			
SLC03B-05	3W	24V (18~36V)	5V	600mA	1.5KVDC	-40~+85°C	CE / EAC
SLC03B-12			12V	250mA			
SLC03B-15			15V	200mA			
SLC03C-05	3W	48V (36~75V)	5V	600mA	1.5KVDC	-40~+85°C	CE / EAC
SLC03C-12			12V	250mA			
SLC03C-15			15V	200mA			

**DLC03**

Model No.	Wattage	Vin	Vout	Iout	Isolation voltage	Operating temperature	Safety
DLC03A-05	3W	12V (9~18V)	±5V	±300mA	1.5KVDC	-40~+85°C	CE / EAC
DLC03A-12			±12V	±125mA			
DLC03A-15			±15V	±100mA			
DLC03B-05	3W	24V (18~36V)	±5V	±300mA	1.5KVDC	-40~+85°C	CE / EAC
DLC03B-12			±12V	±125mA			
DLC03B-15			±15V	±100mA			
DLC03C-05	3W	48V (36~75V)	±5V	±300mA	1.5KVDC	-40~+85°C	CE / EAC
DLC03C-12			±12V	±125mA			
DLC03C-15			±15V	±100mA			

## Module Type 0.5~150W

### DIP24 package

Regulated 3W

2:1 Vin

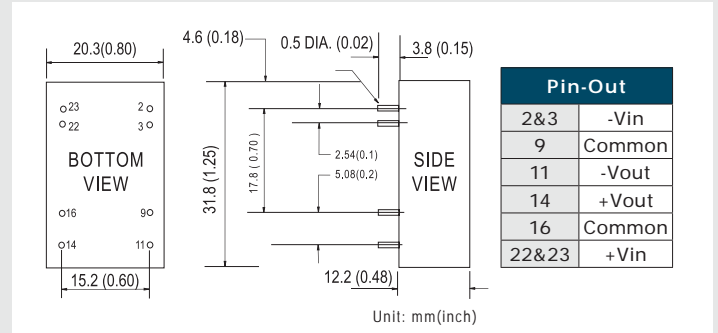
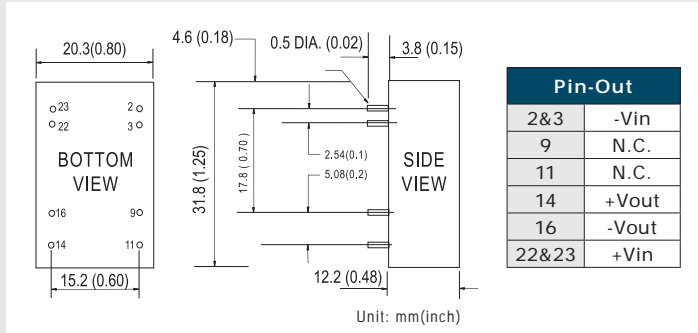
Single/Dual Vo



▲ SCW03  
1.25" x 0.8" x 0.48"



▲ DCW03  
1.25" x 0.8" x 0.48"



### SCW03

Model No.	Wattage	Vin	Vout	Iout	Isolation voltage	Operating temperature	Safety
SCW03A-05	3W	12V (9~18V)	5V	600mA	1KVDC	-40~+71°C	FCC / CE / EAC
SCW03A-12			12V	250mA			
SCW03A-15			15V	200mA			
SCW03B-05	3W	24V (18~36V)	5V	600mA	1KVDC	-40~+71°C	FCC / CE / EAC
SCW03B-12			12V	250mA			
SCW03B-15			15V	200mA			
SCW03C-05	3W	48V (36~72V)	5V	600mA	1KVDC	-40~+71°C	FCC / CE / EAC
SCW03C-12			12V	250mA			
SCW03C-15			15V	200mA			

### DCW03

Model No.	Wattage	Vin	Vout	Iout	Isolation voltage	Operating temperature	Safety
DCW03A-05	3W	12V (9~18V)	±5V	±300mA	1KVDC	-40~+71°C	FCC / CE / EAC
DCW03A-12			±12V	±125mA			
DCW03A-15			±15V	±100mA			
DCW03B-05	3W	24V (18~36V)	±5V	±300mA	1KVDC	-40~+71°C	FCC / CE / EAC
DCW03B-12			±12V	±125mA			
DCW03B-15			±15V	±100mA			
DCW03C-05	3W	48V (36~72V)	±5V	±300mA	1KVDC	-40~+71°C	FCC / CE / EAC
DCW03C-12			±12V	±125mA			
DCW03C-15			±15V	±100mA			



## DIP24 package

Regulated 3W

2:1 Vin

Single/Dual Vo



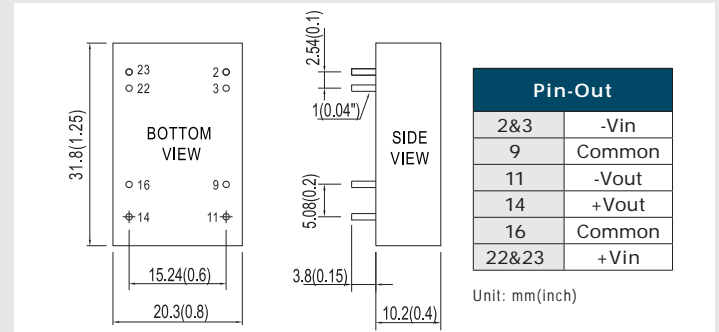
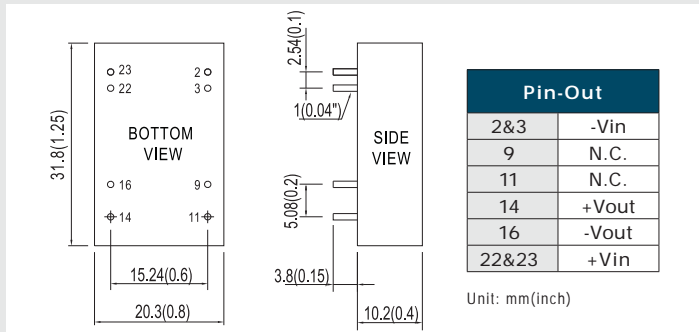
▲ SCWN03

1.25" x 0.80" x 0.40"



▲ DCWN03

1.25" x 0.80" x 0.40"



## SCWN03

Model No.	Wattage	Vin	Vout	Iout	Isolation voltage	Operating temperature	Safety
SCWN03E-03	3W	5V(4.5~9V)	3.3V	600mA	3KVDC	-40~+90°C	CE / EAC
SCWN03E-05			5V	600mA			
SCWN03E-12			12V	250mA			
SCWN03E-15			15V	200mA			
SCWN03A-03	3W	12V(9~18V)	3.3V	600mA	3KVDC	-40~+90°C	CE / EAC
SCWN03A-05			5V	600mA			
SCWN03A-12			12V	250mA			
SCWN03A-15			15V	200mA			
SCWN03B-03	3W	24V(18~36V)	3.3V	600mA	3KVDC	-40~+90°C	CE / EAC
SCWN03B-05			5V	600mA			
SCWN03B-12			12V	250mA			
SCWN03B-15			15V	200mA			
SCWN03C-03	3W	48V(36~72V)	3.3V	600mA	3KVDC	-40~+90°C	CE / EAC
SCWN03C-05			5V	600mA			
SCWN03C-12			12V	250mA			
SCWN03C-15			15V	200mA			

## DCWN03

Model No.	Wattage	Vin	Vout	Iout	Isolation voltage	Operating temperature	Safety
DCWN03E-05	3W	5V(4.5~9V)	±5V	±300mA	3KVDC	-40~+90°C	CE / EAC
DCWN03E-12			±12V	±125mA			
DCWN03E-15			±15V	±100mA			
DCWN03A-05	3W	12V(9~18V)	±5V	±300mA	3KVDC	-40~+90°C	CE / EAC
DCWN03A-12			±12V	±125mA			
DCWN03A-15			±15V	±100mA			
DCWN03B-05	3W	24V(18~36V)	±5V	±300mA	3KVDC	-40~+90°C	CE / EAC
DCWN03B-12			±12V	±125mA			
DCWN03B-15			±15V	±100mA			
DCWN03C-05	3W	48V(36~72V)	±5V	±300mA	3KVDC	-40~+90°C	CE / EAC
DCWN03C-12			±12V	±125mA			
DCWN03C-15			±15V	±100mA			

## Module Type 0.5~150W

### DIP24 package

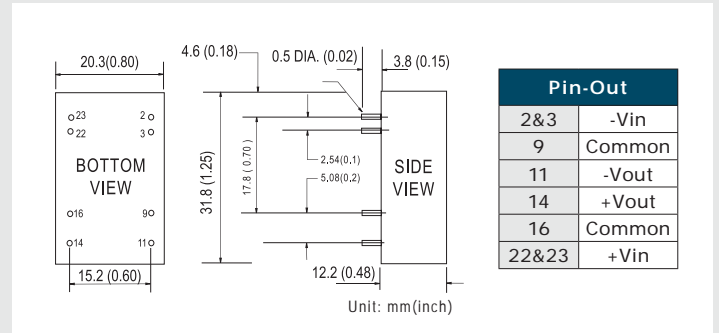
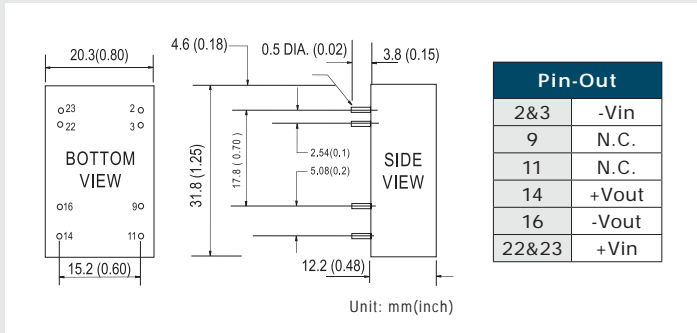
Regulated 5W | 2:1 Vin | Single/Dual Vo



▲ SCW05  
1.25" x 0.80" x 0.48"



▲ DCW05  
1.25" x 0.80" x 0.48"



### SCW05

Model No.	Wattage	Vin	Vout	Iout	Isolation voltage	Operating temperature	Safety
SCW05A-05	5W	12V (9~18V)	5V	1000mA	1KVDC	-40~+71°C	FCC / CE / EAC
SCW05A-09	5W		9V	556mA			
SCW05A-12	6W		12V	470mA			
SCW05A-15	6W		15V	400mA			
SCW05B-05	5W	24V (18~36V)	5V	1000mA	1KVDC	-40~+71°C	FCC / CE / EAC
SCW05B-09	5W		9V	556mA			
SCW05B-12	6W		12V	470mA			
SCW05B-15	6W		15V	400mA			
SCW05C-05	5W	48V (36~72V)	5V	1000mA	1KVDC	-40~+71°C	FCC / CE / EAC
SCW05C-09	5W		9V	556mA			
SCW05C-12	6W		12V	470mA			
SCW05C-15	6W		15V	400mA			

### DCW05

Model No.	Wattage	Vin	Vout	Iout	Isolation voltage	Operating temperature	Safety
DCW05A-05	5W	12V (9~18V)	±5V	±500mA	1KVDC	-40~+71°C	FCC / CE / EAC
DCW05A-12	6W		±12V	±230mA			
DCW05A-15	6W		±15V	±190mA			
DCW05B-05	5W		±5V	±500mA			
DCW05B-12	6W	24V (18~36V)	±12V	±230mA	1KVDC	-40~+71°C	FCC / CE / EAC
DCW05B-15	6W		±15V	±190mA			
DCW05C-05	5W		±5V	±500mA			
DCW05C-12	6W		48V (36~72V)	±12V			
DCW05C-15	6W	±15V		±190mA			

## DIP24 package

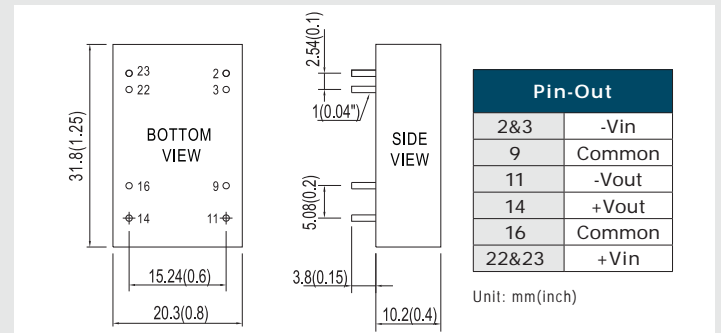
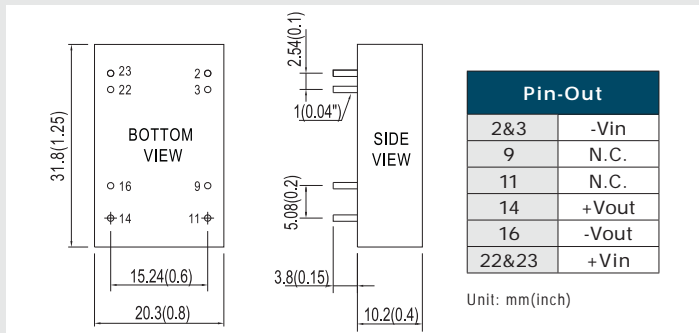
Regulated 6W | 2:1 Vin | Single/Dual Vo



▲ SCWN06  
1.25" x 0.80" x 0.40"



▲ DCWN06  
1.25" x 0.80" x 0.40"



## SCWN06

Model No.	Wattage	Vin	Vout	Iout	Isolation voltage	Operating temperature	Safety
SCWN06A-03	6W	12V(9~18V)	3.3V	1200mA	3KVDC	-40~+90°C	CE / EAC
SCWN06A-05			5V	1000mA			
SCWN06A-12			12V	500mA			
SCWN06A-15			15V	400mA			
SCWN06B-03	6W	24V(18~36V)	3.3V	600mA	3KVDC	-40~+90°C	CE / EAC
SCWN06B-05			5V	600mA			
SCWN06B-12			12V	250mA			
SCWN06B-15			15V	200mA			
SCWN06C-03	6W	48V(36~72V)	3.3V	1200mA	3KVDC	-40~+90°C	CE / EAC
SCWN06C-05			5V	1000mA			
SCWN06C-12			12V	500mA			
SCWN06C-15			15V	400mA			

## DCWN06

Model No.	Wattage	Vin	Vout	Iout	Isolation voltage	Operating temperature	Safety
DCWN06A-05	6W	12V(9~18V)	±5V	±500mA	3KVDC	-40~+90°C	CE / EAC
DCWN06A-12			±12V	±250mA			
DCWN06A-15			±15V	±200mA			
DCWN06B-05	6W	24V(18~36V)	±5V	±500mA	3KVDC	-40~+90°C	CE / EAC
DCWN06B-12			±12V	±250mA			
DCWN06B-15			±15V	±200mA			
DCWN06C-05	6W	48V(36~72V)	±5V	±500mA	3KVDC	-40~+90°C	CE / EAC
DCWN06C-12			±12V	±250mA			
DCWN06C-15			±15V	±200mA			

## Module Type 0.5~150W

### DIP24 package

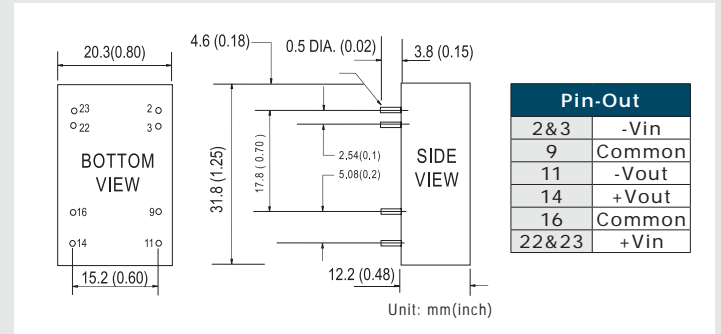
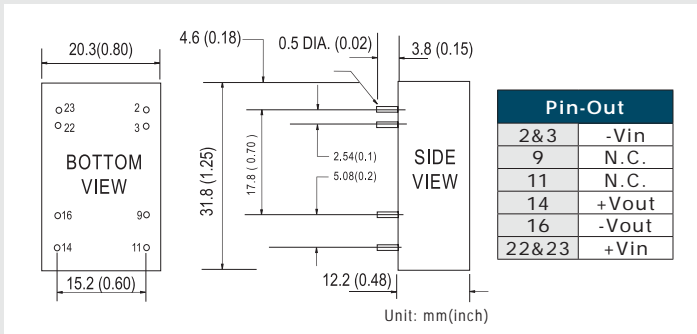
Regulated 8W | 2:1 Vin | Single/Dual Vo



▲ SCW08  
1.25" x 0.8" x 0.48"



▲ DCW08  
1.25" x 0.8" x 0.48"



### SCW08

Model No.	Wattage	Vin	Vout	Iout	Isolation voltage	Operating temperature	Safety
SCW08A-05			5V	1600mA			
SCW08A-12	8W	12V (9~18V)	12V	670mA	1KVDC	-40~+71°C	FCC / CE / EAC
SCW08A-15			15V	533mA			
SCW08B-05			5V	1600mA			
SCW08B-12	8W	24V (18~36V)	12V	670mA	1KVDC	-40~+71°C	FCC / CE / EAC
SCW08B-15			15V	533mA			
SCW08C-05			5V	1600mA			
SCW08C-12	8W	48V (36~72V)	12V	670mA	1KVDC	-40~+71°C	FCC / CE / EAC
SCW08C-15			15V	533mA			

### DCW08

Model No.	Wattage	Vin	Vout	Iout	Isolation voltage	Operating temperature	Safety
DCW08A-05			±5V	±800mA			
DCW08A-12	8W	12V (9~18V)	±12V	±335mA	1KVDC	-40~+71°C	FCC / CE / EAC
DCW08A-15			±15V	±267mA			
DCW08B-05			±5V	±800mA			
DCW08B-12	8W	24V (18~36V)	±12V	±335mA	1KVDC	-40~+71°C	FCC / CE / EAC
DCW08B-15			±15V	±267mA			
DCW08C-05			±5V	±800mA			
DCW08C-12	8W	48V (36~72V)	±12V	±335mA	1KVDC	-40~+71°C	FCC / CE / EAC
DCW08C-15			±15V	±267mA			

DIP24 package

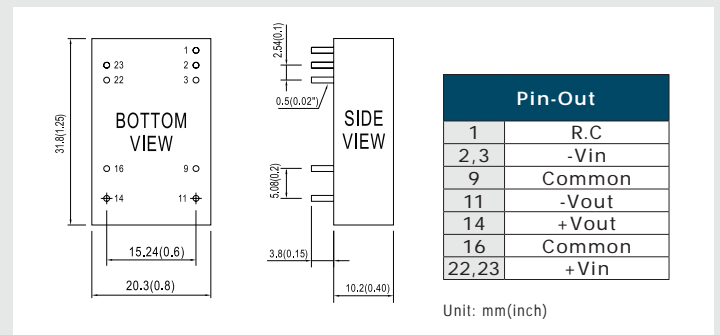
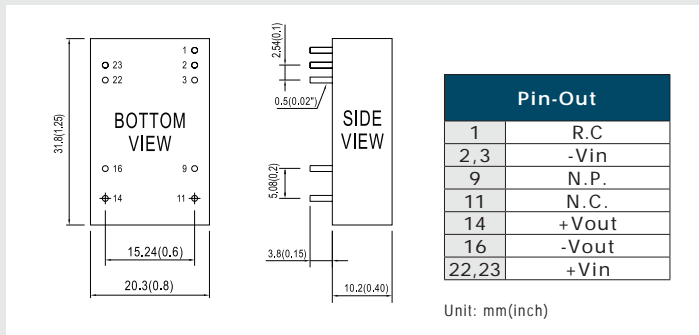
Regulated 8W | 4:1 Vin | Single/Dual Vo



▲ RSDW08  
1.25" x 0.8" x 0.40"



▲ RDDW08  
1.25" x 0.8" x 0.40"



RSDW08



Model No.	Wattage	Vin	Vout	Iout	Isolation voltage	Operating temperature	Safety
RSDW08F-03	8W	12V, 24V (9~36V)	3.3V	2000mA	1.5KVDC	-40~+85°C	CE (EN50155/EN55032) EAC
RSDW08F-05			5V	1600mA			
RSDW08F-12			12V	666mA			
RSDW08F-15			15V	530mA			
RSDW08G-03	8W	24V, 48V (18~75V)	3.3V	2000mA	1.5KVDC	-40~+85°C	CE (EN50155/EN55032) EAC
RSDW08G-05			5V	1600mA			
RSDW08G-12			12V	666mA			
RSDW08G-15			15V	530mA			

RDDW08



Model No.	Wattage	Vin	Vout	Iout	Isolation voltage	Operating temperature	Safety
RDDW08F-05	8W	12V, 24V (9~36V)	±5V	±800mA	1.5KVDC	-40~+85°C	CE (EN50155/EN55032) EAC
RDDW08F-12			±12V	±333mA			
RDDW08F-15			±15V	±265mA			
RDDW08G-05	8W	24V, 48V (18~75V)	±5V	±800mA	1.5KVDC	-40~+85°C	CE (EN50155/EN55032) EAC
RDDW08G-12			±12V	±333mA			
RDDW08G-15			±15V	±265mA			

Module Type 0.5~150W

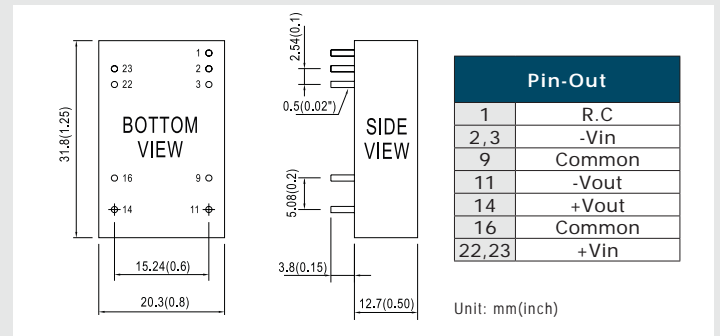
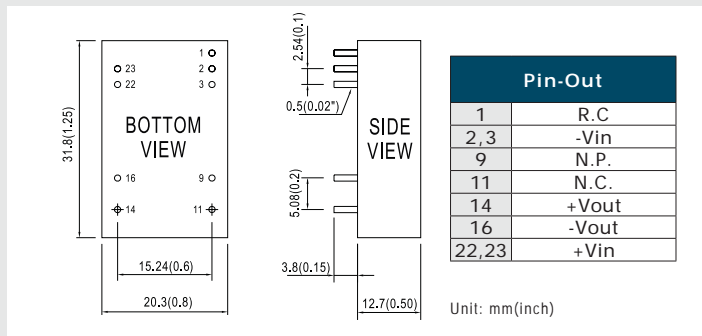
DIP24 package Regulated 10W | 4:1 Vin | Single/Dual Vo



▲ RSDW10  
1.25" x 0.8" x 0.5"



▲ RDDW10  
1.25" x 0.8" x 0.5"



RSDW10



Model No.	Wattage	Vin	Vout	Iout	Isolation voltage	Operating temperature	Safety
RSDW10H-03	10W	96V, 110V (43~160V)	3.3V	2500mA	3KVDC	-40~+85°C	CE / EAC
RSDW10H-05			5V	2000mA			
RSDW10H-12			12V	835mA			
RSDW10H-15			15V	666mA			

RDDW10



Model No.	Wattage	Vin	Vout	Iout	Isolation voltage	Operating temperature	Safety
RDDW10H-05	10W	96V, 110V (43~160V)	±5V	±1000mA	3KVDC	-40~+85°C	CE / EAC
RDDW10H-12			±12V	±416mA			
RDDW10H-15			±15V	±333mA			

DIP24 package

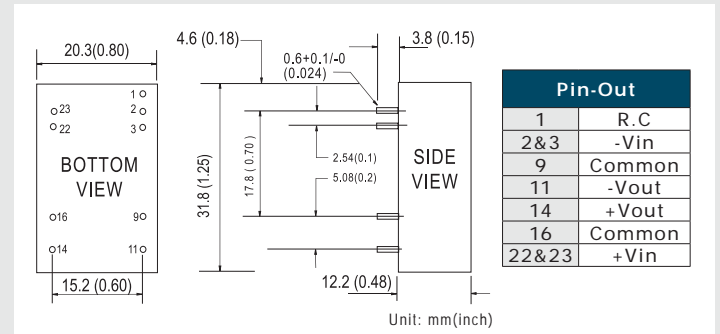
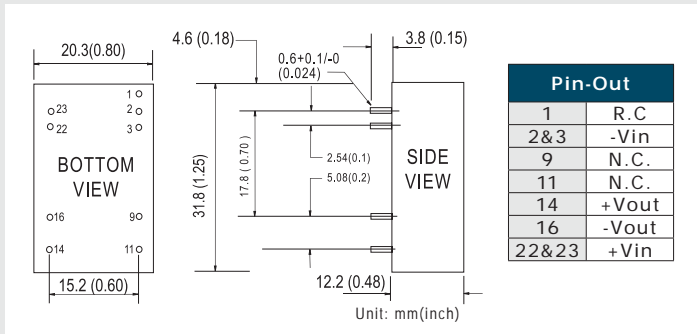
Regulated 12W | 2:1 Vin | Single/Dual Vo



▲ SCW12  
1.25" x 0.80" x 0.48"



▲ DCW12  
1.25" x 0.80" x 0.48"



SCW12

Model No.	Wattage	Vin	Vout	Iout	Isolation voltage	Operating temperature	Safety
SCW12A-05	12W	12V (9~18V)	5V	2400mA	1.5KVDC	-40~+71°C	FCC / CE / EAC
SCW12A-12			12V	1000mA			
SCW12A-15			15V	800mA			
SCW12B-05	12W	24V (18~36V)	5V	2400mA	1.5KVDC	-40~+71°C	FCC / CE / EAC
SCW12B-12			12V	1000mA			
SCW12B-15			15V	800mA			
SCW12C-05	12W	48V (36~72V)	5V	2400mA	1.5KVDC	-40~+71°C	FCC / CE / EAC
SCW12C-12			12V	1000mA			
SCW12C-15			15V	800mA			

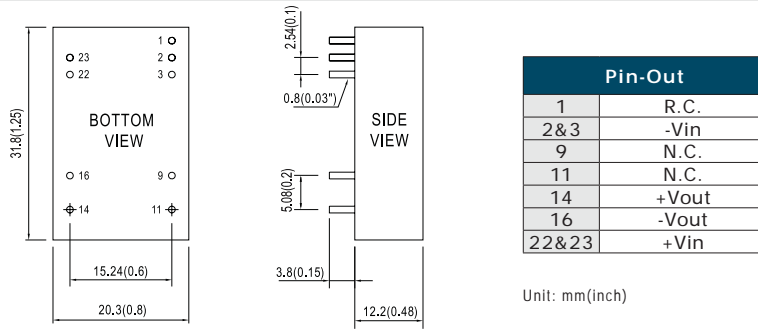
DCW12

Model No.	Wattage	Vin	Vout	Iout	Isolation voltage	Operating temperature	Safety
DCW12A-05	12W	12V (9~18V)	±5V	±1200mA	1.5KVDC	-40~+71°C	FCC / CE / EAC
DCW12A-12			±12V	±500mA			
DCW12A-15			±15V	±400mA			
DCW12B-05	12W	24V (18~36V)	±5V	±1200mA	1.5KVDC	-40~+71°C	FCC / CE / EAC
DCW12B-12			±12V	±500mA			
DCW12B-15			±15V	±400mA			
DCW12C-05	12W	48V (36~72V)	±5V	±1200mA	1.5KVDC	-40~+71°C	FCC / CE / EAC
DCW12C-12			±12V	±500mA			
DCW12C-15			±15V	±400mA			

**DIP24 package** | Regulated 20W | 2:1 Vin | Single Vo



▲ SCW20  
1.25" x 0.80" x 0.48"



SCW20

Model No.	Wattage	Vin	Vout	Iout	Isolation voltage	Operating temperature	Safety
SCW20A-05			5V	4000mA			
SCW20A-12	20W	12V(9~18V)	12V	1660mA	1.5KVDC	-40~+80°C	CE / EAC
SCW20A-15			15V	1333mA			
SCW20B-05			5V	4000mA			
SCW20B-12	20W	24V(18~36V)	12V	1666mA	1.5KVDC	-40~+80°C	CE / EAC
SCW20B-15			15V	1333mA			
SCW20C-05			5V	4000mA			
SCW20C-12	20W	48V(36~75V)	12V	1660mA	1.5KVDC	-40~+80°C	CE / EAC
SCW20C-15			15V	1333mA			



## 1"x1" package

Regulated 10W

2:1 Vin

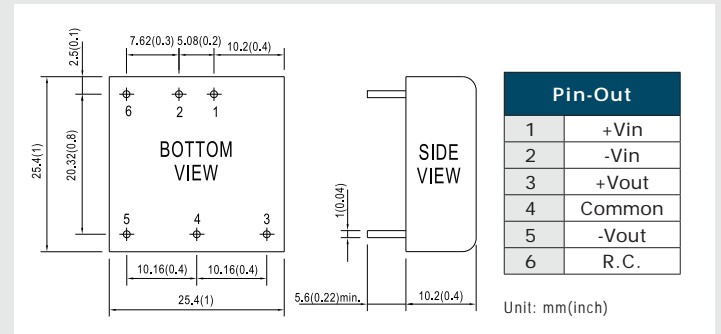
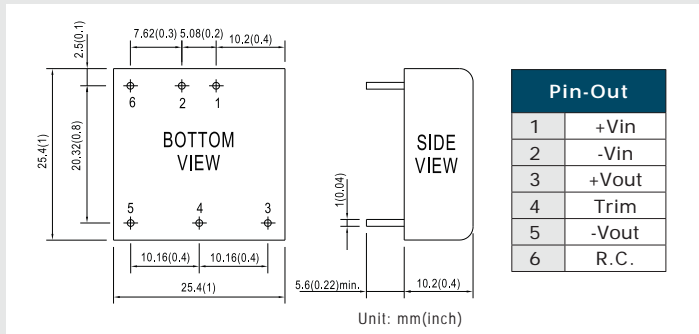
Single/Dual Vo



▲ SKM10  
1" x 1" x 0.40"



▲ DKM10  
1" x 1" x 0.40"



## SKM10

Model No.	Wattage	Vin	Vout	Iout	Isolation voltage	Operating temperature	Safety
SKM10E-03	8W	5V(4.7~9V)	3.3V	2500mA	1.5KVDC	-40~+85°C	CE / EAC
SKM10E-05	10W		5V	2000mA			
SKM10E-12	10W		12V	833mA			
SKM10E-15	10W	12V(9~18V)	15V	666mA	1.5KVDC	-40~+85°C	CE / EAC
SKM10A-03	8W		3.3V	2500mA			
SKM10A-05	10W		5V	2000mA			
SKM10A-12	10W	24V(18~36V)	12V	833mA	1.5KVDC	-40~+85°C	CE / EAC
SKM10A-15	10W		15V	666mA			
SKM10B-03	8W		3.3V	2500mA			
SKM10B-05	10W	48V(36~75V)	5V	2000mA	1.5KVDC	-40~+85°C	CE / EAC
SKM10B-12	10W		12V	833mA			
SKM10B-15	10W		15V	666mA			
SKM10C-03	8W	48V(36~75V)	3.3V	2500mA	1.5KVDC	-40~+85°C	CE / EAC
SKM10C-05	10W		5V	2000mA			
SKM10C-12	10W		12V	833mA			
SKM10C-15	10W		15V	666mA			

## DKM10

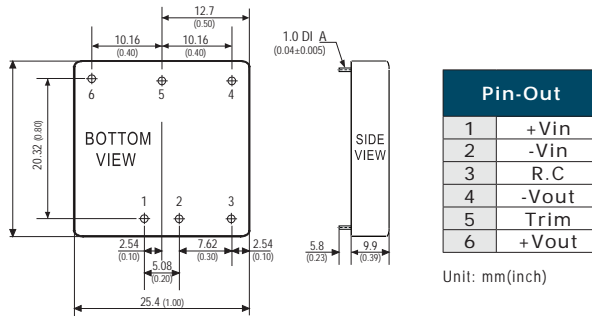
Model No.	Wattage	Vin	Vout	Iout	Isolation voltage	Operating temperature	Safety
DKM10E-05	10W	5V(4.7~9V)	±5V	±1000mA	1.5KVDC	-40~+85°C	CE / EAC
DKM10E-12			±12V	±416mA			
DKM10E-15			±15V	±333mA			
DKM10A-05	10W	12V(9~18V)	±5V	±1000mA	1.5KVDC	-40~+85°C	CE / EAC
DKM10A-12			±12V	±416mA			
DKM10A-15			±15V	±333mA			
DKM10B-05	10W	24V(18~36V)	±5V	±1000mA	1.5KVDC	-40~+85°C	CE / EAC
DKM10B-12			±12V	±416mA			
DKM10B-15			±15V	±333mA			
DKM10C-05	10W	48V(36~75V)	±5V	±1000mA	1.5KVDC	-40~+85°C	CE / EAC
DKM10C-12			±12V	±416mA			
DKM10C-15			±15V	±333mA			

Module Type 0.5~150W

1"x1" package | Regulated 15W | 2:1 Vin | Single Vo



▲ SKM15  
1" x 1" x 0.39"



SKM15

Model No.	Wattage	Vin	Vout	Iout	Isolation voltage	Operating temperature	Safety
SKM15A-05			5V	3000mA			
SKM15A-12	15W	12V (9~18V)	12V	1250mA	1.5KVDC	-40~+80°C	FCC / CE / EAC
SKM15A-15			15V	1000mA			
SKM15B-05			5V	3000mA			
SKM15B-12	15W	24V (18~36V)	12V	1250mA	1.5KVDC	-40~+80°C	FCC / CE / EAC
SKM15B-15			15V	1000mA			
SKM15C-05			5V	3000mA			
SKM15C-12	15W	48V (36~75V)	12V	1250mA	1.5KVDC	-40~+80°C	FCC / CE / EAC
SKM15C-15			15V	1000mA			

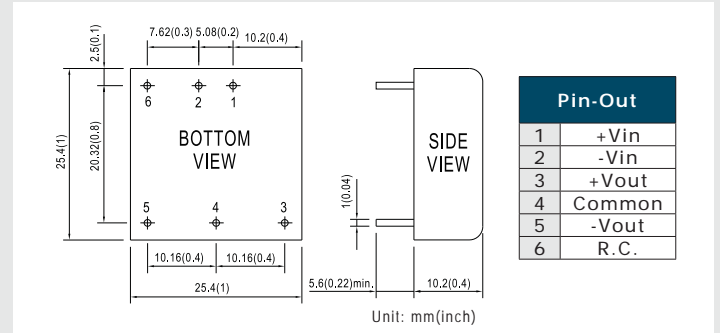
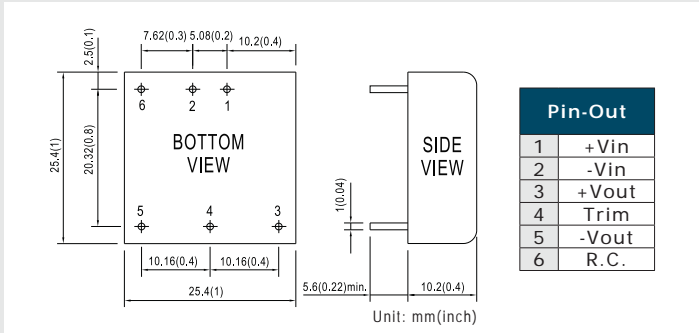
**1"x1" package** Regulated 20W | 4:1 Vin | Single/Dual Vo



▲ SKMW20  
1" x 1" x 0.40"



▲ DKMW20  
1" x 1" x 0.40"



**SKMW20**

Model No.	Wattage	Vin	Vout	Iout	Isolation voltage	Operating temperature	Safety
SKMW20F-03	15W		3.3V	4500mA			
SKMW20F-05	20W	12V, 24V	5V	4000mA	1.5KVDC	-40~+85°C	CE / EAC
SKMW20F-12	20W	(9~36V)	12V	1670mA			
SKMW20F-15	20W		15V	1330mA			
SKMW20G-03	15W		3.3V	4500mA			
SKMW20G-05	20W	24V, 48V	5V	4000mA	1.5KVDC	-40~+85°C	CE / EAC
SKMW20G-12	20W	(18~75V)	12V	1670mA			
SKMW20G-15	20W		15V	1330mA			

**DKMW20**

Model No.	Wattage	Vin	Vout	Iout	Isolation voltage	Operating temperature	Safety
DKMW20F-12	20W	12V, 24V	±12V	±830mA	1.5KVDC	-40~+85°C	CE / EAC
DKMW20F-15		(9~36V)	±15V	±660mA			
DKMW20G-12	20W	24V, 48V	±12V	±830mA	1.5KVDC	-40~+85°C	CE / EAC
DKMW20G-15		(18~75V)	±15V	±660mA			

Module Type 0.5~150W

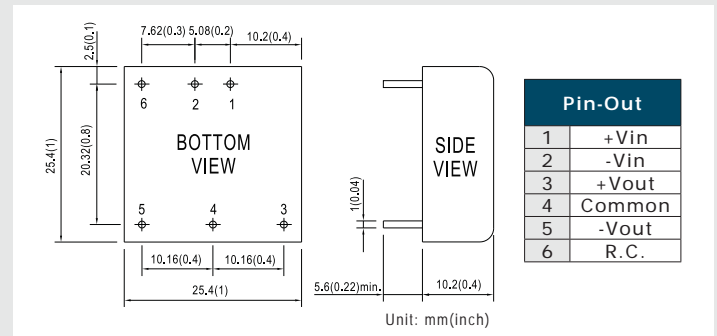
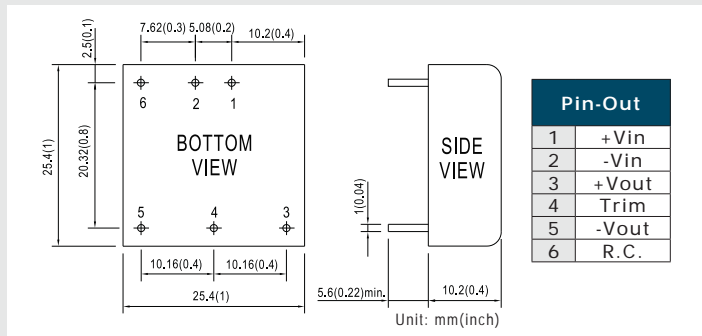
1"x1" package Regulated 30W | 4:1 Vin | Single/Dual Vo



▲ SKMW30  
1" x 1" x 0.4"



▲ DKMW30  
1" x 1" x 0.4"



SKMW30

Model No.	Wattage	Vin	Vout	Iout	Isolation voltage	Operating temperature	Safety
SKMW30F-03	25W		3.3V	7500mA			
SKMW30F-05	30W	12V, 24V	5V	6000mA	1.5KVDC	-40~+85°C	CE / EAC
SKMW30F-12	30W	(9~36V)	12V	2500mA			
SKMW30F-15	30W		15V	2000mA			
SKMW30G-03	25W		3.3V	7500mA			
SKMW30G-05	30W	24V, 48V	5V	6000mA	1.5KVDC	-40~+85°C	CE / EAC
SKMW30G-12	30W	(18~75V)	12V	2500mA			
SKMW30G-15	30W		15V	2000mA			

DKMW30

Model No.	Wattage	Vin	Vout	Iout	Isolation voltage	Operating temperature	Safety
DKMW30F-12	30W	12V, 24V	±12V	±1250mA	1.5KVDC	-40~+85°C	CE / EAC
DKMW30F-15		(9~36V)	±15V	±1000mA			
DKMW30G-12	30W	24V, 48V	±12V	±1250mA	1.5KVDC	-40~+85°C	CE / EAC
DKMW30G-15		(18~75V)	±15V	±1000mA			

2"x1" package

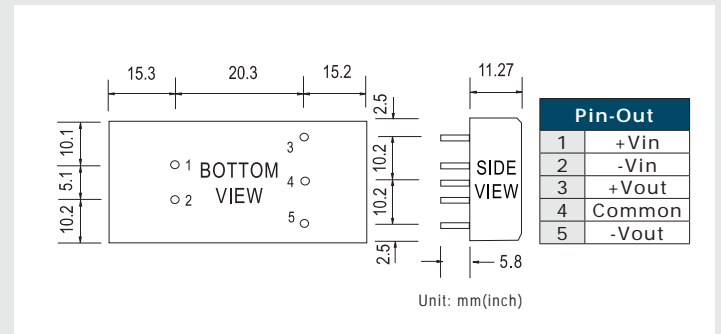
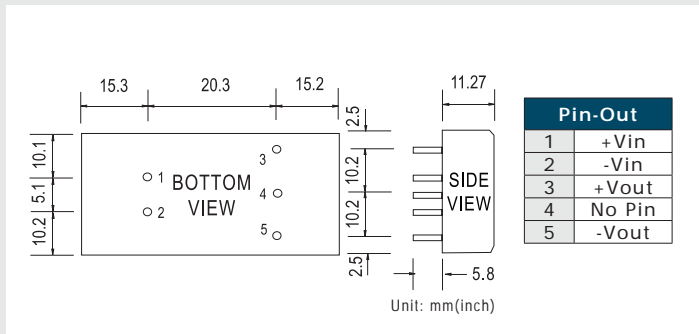
Regulated 5W | 2:1 Vin | Single/Dual Vo



▲ SLW05  
2" x 1" x 0.44"



▲ DLW05  
2" x 1" x 0.44"



SLW05

Model No.	Wattage	Vin	Vout	Iout	Isolation voltage	Operating temperature	Safety
SLW05A-05	5W	12V (9~18V)	5V	1000mA	1KVDC	-25~+71°C	FCC / CE / EAC
SLW05A-09			9V	556mA			
SLW05A-12			12V	417mA			
SLW05A-15			15V	333mA			
SLW05B-05	5W	24V (18~36V)	5V	1000mA	1KVDC	-25~+71°C	FCC / CE / EAC
SLW05B-09			9V	556mA			
SLW05B-12			12V	417mA			
SLW05B-15			15V	333mA			
SLW05C-05	5W	48V (36~72V)	5V	1000mA	1KVDC	-25~+71°C	FCC / CE / EAC
SLW05C-09			9V	556mA			
SLW05C-12			12V	417mA			
SLW05C-15			15V	333mA			

DLW05

Model No.	Wattage	Vin	Vout	Iout	Isolation voltage	Operating temperature	Safety
DLW05A-05	5W	12V (9~18V)	±5V	±500mA	1KVDC	-25~+71°C	FCC / CE / EAC
DLW05A-12			±12V	±208mA			
DLW05A-15			±15V	±167mA			
DLW05B-05	5W	24V (18~36V)	±5V	±500mA	1KVDC	-25~+71°C	FCC / CE / EAC
DLW05B-12			±12V	±208mA			
DLW05B-15			±15V	±167mA			
DLW05C-05	5W	48V (36~72V)	±5V	±500mA	1KVDC	-25~+71°C	FCC / CE / EAC
DLW05C-12			±12V	±208mA			
DLW05C-15			±15V	±167mA			

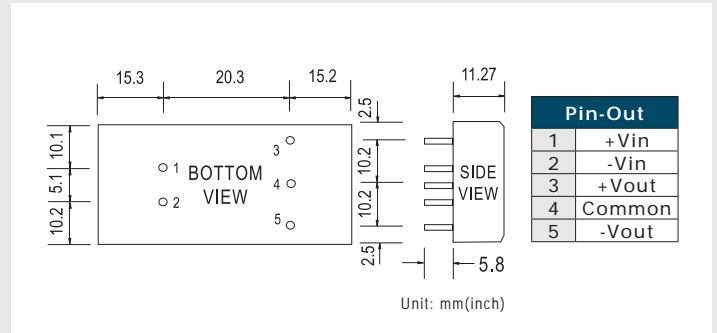
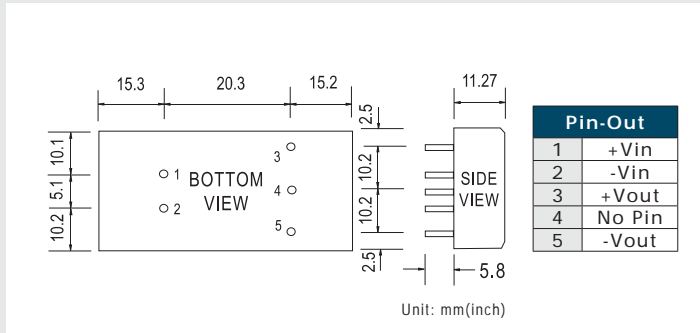
**2"x1" package** Regulated 10W | 2:1 Vin | Single/Dual Vo



▲ SKE10  
2" x 1" x 0.44"



▲ DKE10  
2" x 1" x 0.44"



**SKE10**

Model No.	Wattage	Vin	Vout	Iout	Isolation voltage	Operating temperature	Safety
SKE10A-05	10W	12V (9~18V)	5V	2000mA	1KVDC	-25~+71°C	FCC / CE / EAC
SKE10A-12			12V	840mA			
SKE10A-15			15V	660mA			
SKE10A-24			24V	420mA			
SKE10B-05	10W	24V (18~36V)	5V	2000mA	1KVDC	-25~+71°C	FCC / CE / EAC
SKE10B-12			12V	840mA			
SKE10B-15			15V	660mA			
SKE10B-24			24V	420mA			
SKE10C-05	10W	48V (36~72V)	5V	2000mA	1KVDC	-25~+71°C	FCC / CE / EAC
SKE10C-12			12V	840mA			
SKE10C-15			15V	660mA			
SKE10C-24			24V	420mA			

**DKE10**

Model No.	Wattage	Vin	Vout	Iout	Isolation voltage	Operating temperature	Safety
DKE10A-05	10W	12V (9~18V)	±5V	±1000mA	1KVDC	-25~+71°C	FCC / CE / EAC
DKE10A-12			±12V	±420mA			
DKE10A-15			±15V	±333mA			
DKE10A-24			±24V	±210mA			
DKE10B-05	10W	24V (18~36V)	±5V	±1000mA	1KVDC	-25~+71°C	FCC / CE / EAC
DKE10B-12			±12V	±420mA			
DKE10B-15			±15V	±333mA			
DKE10B-24			±24V	±210mA			
DKE10C-05	10W	48V (36~72V)	±5V	±1000mA	1KVDC	-25~+71°C	FCC / CE / EAC
DKE10C-12			±12V	±420mA			
DKE10C-15			±15V	±333mA			
DKE10C-24			±24V	±210mA			

2"x1" package

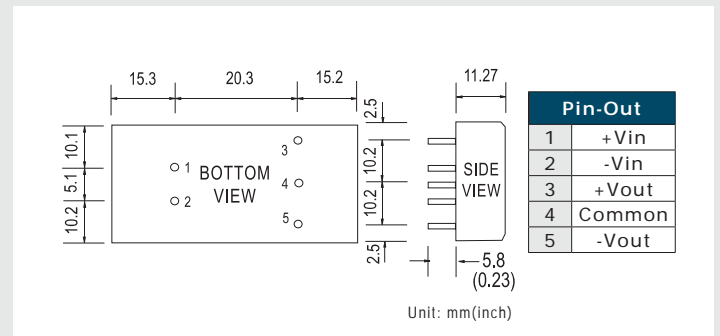
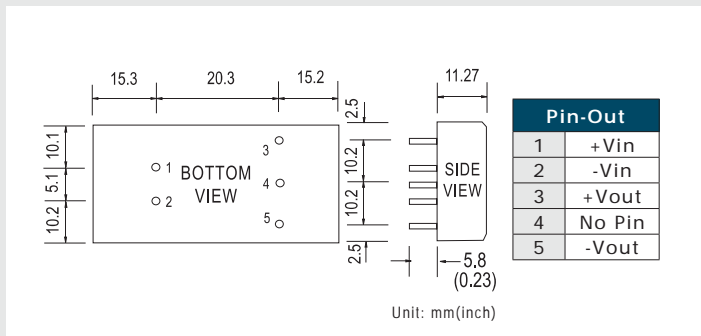
Regulated 15W | 2:1 Vin | Single/Dual Vo



▲ SKA15  
2" x 1" x 0.44"



▲ DKA15  
2" x 1" x 0.44"



SKA15

Model No.	Wattage	Vin	Vout	Iout	Isolation voltage	Operating temperature	Safety
SKA15A-033	10W	12V (9~18V)	3.3V	3000mA	1KVDC	-40~+71°C	FCC / CE / EAC
SKA15A-05	15W		5V	3000mA			
SKA15A-12	15W		12V	1250mA			
SKA15A-15	15W		15V	1000mA			
SKA15B-033	10W	24V (18~36V)	3.3V	3000mA	1KVDC	-40~+71°C	FCC / CE / EAC
SKA15B-05	15W		5V	3000mA			
SKA15B-12	15W		12V	1250mA			
SKA15B-15	15W		15V	1000mA			
SKA15C-033	10W	48V (36~72V)	3.3V	3000mA	1KVDC	-40~+71°C	FCC / CE / EAC
SKA15C-05	15W		5V	3000mA			
SKA15C-12	15W		12V	1250mA			
SKA15C-15	15W		15V	1000mA			

DKA15

Model No.	Wattage	Vin	Vout	Iout	Isolation voltage	Operating temperature	Safety
DKA15A-05	15W	12V (9~18V)	±5V	±1500mA	1KVDC	-40~+71°C	FCC / CE / EAC
DKA15A-12			±12V	±625mA			
DKA15A-15			±15V	±500mA			
DKA15B-05	15W	24V (18~36V)	±5V	±1500mA	1KVDC	-40~+71°C	FCC / CE / EAC
DKA15B-12			±12V	±625mA			
DKA15B-15			±15V	±500mA			
DKA15C-05	15W	48V (36~72V)	±5V	±1500mA	1KVDC	-40~+71°C	FCC / CE / EAC
DKA15C-12			±12V	±625mA			
DKA15C-15			±15V	±500mA			

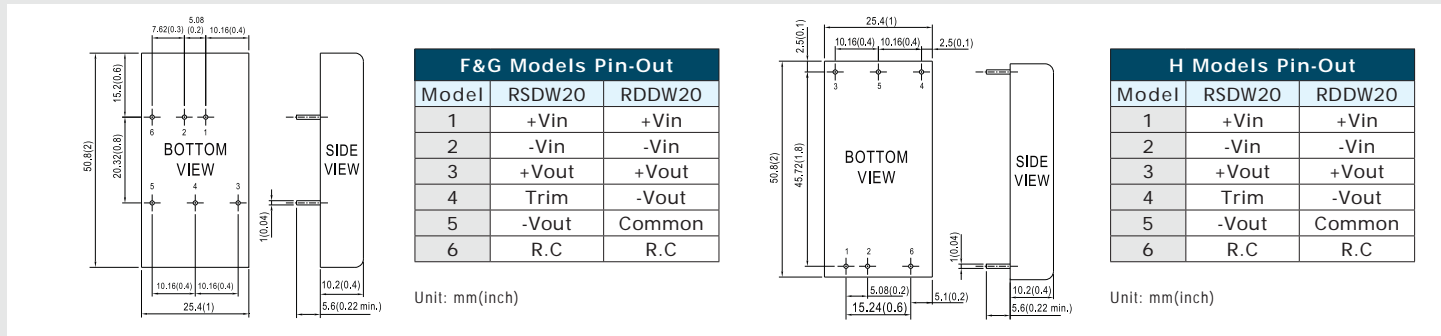
**2"x1" package** Regulated 20W | 4:1 Vin | Single/Dual Vo



▲ RSDW20  
2" x 1" x 0.4"



▲ RDDW20  
2" x 1" x 0.4"



**RSDW20**



Model No.	Wattage	Vin	Vout	Iout	Isolation voltage	Operating temperature	Safety
RSDW20F-03	20W	12V, 24V (9~36V)	3.3V	5500mA	1.5KVDC	-40~+85°C	CE (EN50155/EN55032) EAC
RSDW20F-05			5V	4000mA			
RSDW20F-12			12V	1670mA			
RSDW20F-15			15V	1330mA			
RSDW20G-03	20W	24V, 48V (18~75V)	3.3V	5500mA	1.5KVDC	-40~+85°C	CE (EN50155/EN55032) EAC
RSDW20G-05			5V	4000mA			
RSDW20G-12			12V	1670mA			
RSDW20G-15			15V	1330mA			
RSDW20H-05	20W	96V, 110V (43~160V)	5V	4000mA	3KVDC	-40~+85°C	CE (EN50155/EN55032) EAC
RSDW20H-12			12V	1670mA			
RSDW20H-15			15V	1330mA			

**RDDW20**



Model No.	Wattage	Vin	Vout	Iout	Isolation voltage	Operating temperature	Safety
RDDW20F-05	20W	12V, 24V (9~36V)	±5V	±2000mA	1.5KVDC	-40~+85°C	CE (EN50155/EN55032) EAC
RDDW20F-12			±12V	±835mA			
RDDW20F-15			±15V	±666mA			
RDDW20G-05			±5V	±2000mA			
RDDW20G-12	20W	24V, 48V (18~75V)	±12V	±835mA	1.5KVDC	-40~+85°C	CE (EN50155/EN55032) EAC
RDDW20G-15			±15V	±666mA			
RDDW20H-12			±12V	±1833mA			
RDDW20H-15	20W	96V, 110V (43~160V)	±15V	±667mA	3KVDC	-40~+85°C	CE (EN50155/EN55032) EAC



2"x1" package

Regulated 20W/30W/50W | 2:1 Vin | Single Vo



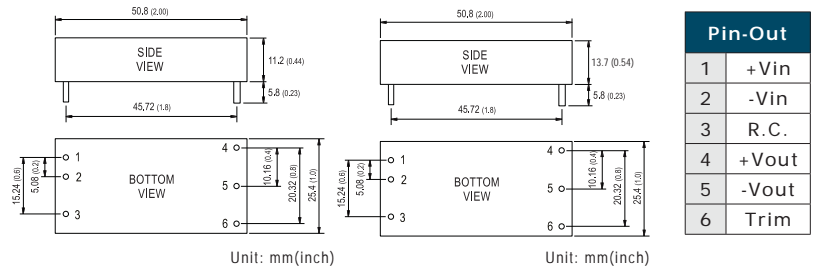
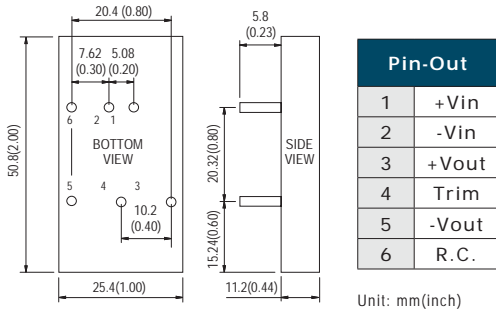
▲ SKA20  
2" x 1" x 0.44"



▲ SKM30  
2" x 1" x 0.44"



▲ SKM50  
2" x 1" x 0.54"



SKA20

Model No.	Wattage	Vin	Vout	Iout	Isolation voltage	Operating temperature	Safety
SKA20A-05	20W	12V (9~18V)	5V	4000mA	1.5KVDC	-40~+85°C	FCC / CE / EAC
SKA20A-12			12V	1666mA			
SKA20A-15			15V	1333mA			
SKA20B-05	20W	24V (18~36V)	5V	4000mA	1.5KVDC	-40~+85°C	FCC / CE / EAC
SKA20B-12			12V	1666mA			
SKA20B-15			15V	1333mA			
SKA20C-05	20W	48V (36~75V)	5V	4000mA	1.5KVDC	-40~+85°C	FCC / CE / EAC
SKA20C-12			12V	1666mA			
SKA20C-15			15V	1333mA			

SKM30

Model No.	Wattage	Vin	Vout	Iout	Isolation voltage	Operating temperature	Safety
SKM30A-05	30W	12V (9~18V)	5V	6000mA	1.5KVDC	-40~+75°C	FCC / CE / EAC
SKM30A-12			12V	2500mA			
SKM30A-15			15V	2000mA			
SKM30B-05	30W	24V (18~36V)	5V	6000mA	1.5KVDC	-40~+75°C	FCC / CE / EAC
SKM30B-12			12V	2500mA			
SKM30B-15			15V	2000mA			
SKM30C-05	30W	48V (36~75V)	5V	6000mA	1.5KVDC	-40~+75°C	FCC / CE / EAC
SKM30C-12			12V	2500mA			
SKM30C-15			15V	2000mA			

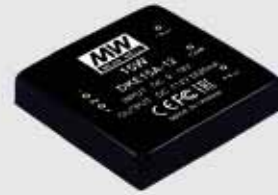
SKM50

Model No.	Wattage	Vin	Vout	Iout	Isolation voltage	Operating temperature	Safety
SKM50B-05	50W	24V (18~36V)	5V	10A	1.5KVDC	-40~+75°C	FCC / CE / EAC
SKM50B-12			12V	4170mA			
SKM50B-15			15V	3330mA			
SKM50C-05	50W	48V (36~75V)	5V	10A	1.5KVDC	-40~+75°C	FCC / CE / EAC
SKM50C-12			12V	4170mA			
SKM50C-15			15V	3330mA			

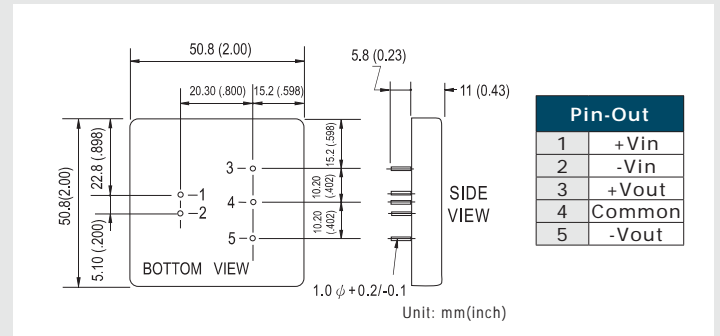
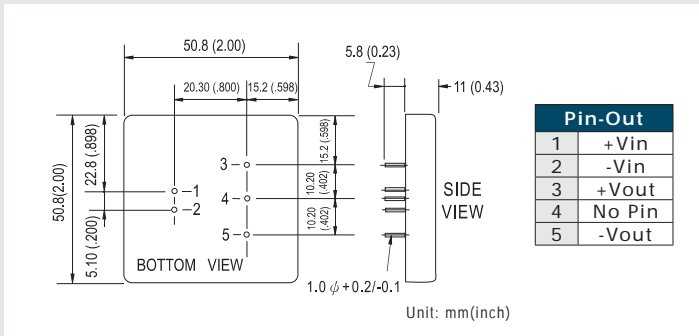
**2"x2" package** Regulated 15W | 2:1 Vin | Single/Dual Vo



▲ SKE15  
2" x 2" x 0.43"



▲ DKE15  
2" x 2" x 0.43"



**SKE15**

Model No.	Wattage	Vin	Vout	Iout	Isolation voltage	Operating temperature	Safety
SKE15A-05	15W	12V (9~18V)	5V	3000mA	1KVDC	-25~+71°C	FCC / CE / EAC
SKE15A-12			12V	1250mA			
SKE15A-15			15V	1000mA			
SKE15A-24			24V	625mA			
SKE15B-05	15W	24V (18~36V)	5V	3000mA	1KVDC	-25~+71°C	FCC / CE / EAC
SKE15B-12			12V	1250mA			
SKE15B-15			15V	1000mA			
SKE15B-24			24V	625mA			
SKE15C-05	15W	48V (36~72V)	5V	3000mA	1KVDC	-25~+71°C	FCC / CE / EAC
SKE15C-12			12V	1250mA			
SKE15C-15			15V	1000mA			
SKE15C-24			24V	625mA			

**DKE15**

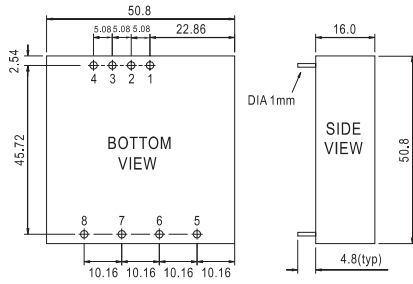
Model No.	Wattage	Vin	Vout	Iout	Isolation voltage	Operating temperature	Safety
DKE15A-05	15W	12V (9~18V)	±5V	±1500mA	1KVDC	-25~+71°C	FCC / CE / EAC
DKE15A-12			±12V	±625mA			
DKE15A-15			±15V	±500mA			
DKE15A-24			±24V	±313mA			
DKE15B-05	15W	24V (18~36V)	±5V	±1500mA	1KVDC	-25~+71°C	FCC / CE / EAC
DKE15B-12			±12V	±625mA			
DKE15B-15			±15V	±500mA			
DKE15B-24			±24V	±313mA			
DKE15C-05	15W	48V (36~72V)	±5V	±1500mA	1KVDC	-25~+71°C	FCC / CE / EAC
DKE15C-12			±12V	±625mA			
DKE15C-15			±15V	±500mA			
DKE15C-24			±24V	±313mA			

2"x2" package

Regulated 30W | 2:1 Vin | Single Vo



▲ SDM30  
2" x 2" x 0.63"



Unit: mm(Inch)

## Pin-Out

Pin No.	Function
1	+Vin
2	-Vin
3	No Pin
4	R.C
5	No Pin
6	+Vout
7	-Vout
8	Trim

## SDM30

Model No.	Wattage	Vin	Vout	Iout	Isolation voltage	Operating temperature	Safety
SDM30-12S3	17W	12V (9.2~18V)	3.3V	5000mA	1KVDC	-25~+85°C	CE / EAC
SDM30-12S5	25W		5V	5000mA			
SDM30-12S12	25W		12V	2100mA			
SDM30-12S15	26W		15V	1700mA			
SDM30-24S3	17W	24V (18~36V)	3.3V	5000mA	1KVDC	-25~+85°C	CE / EAC
SDM30-24S5	25W		5V	5000mA			
SDM30-24S12	30W		12V	2100mA			
SDM30-24S15	30W		15V	1700mA			
SDM30-48S3	17W	48V (36~72V)	3.3V	5000mA	1KVDC	-25~+85°C	CE / EAC
SDM30-48S5	25W		5V	5000mA			
SDM30-48S12	30W		12V	2100mA			
SDM30-48S15	30W		15V	1700mA			

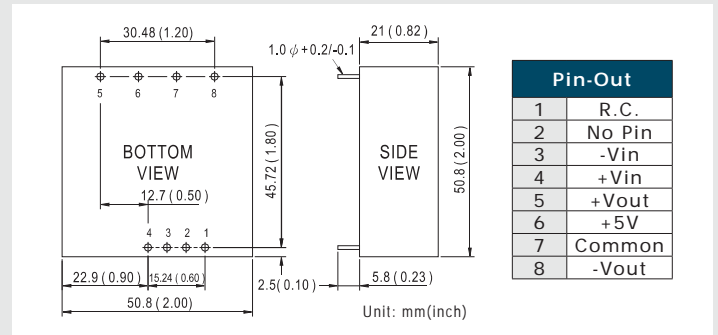
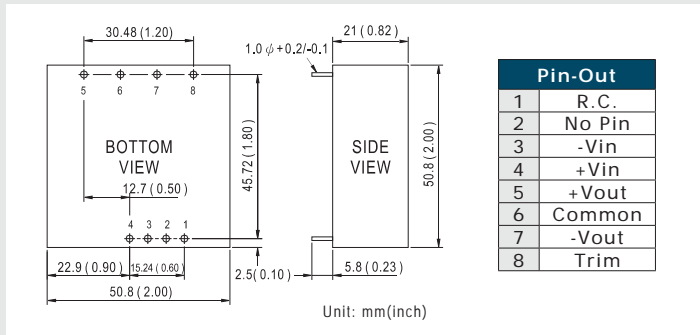
**2"x2" package** Regulated 30W | 2:1 Vin | Dual/Triple Vo



▲ DKA30  
2" x 2" x 0.82"



▲ TKA30  
2" x 2" x 0.82"



**DKA30**

Model No.	Wattage	Vin	Vout	Iout	Isolation voltage	Operating temperature	Safety
DKA30A-05	25W		±5V	±2500mA			
DKA30A-12	30W	12V (9~18V)	±12V	±1250mA	1KVDC	-40~+85°C	FCC / CE / EAC
DKA30A-15	30W		±15V	±1000mA			
DKA30B-05	25W		±5V	±2500mA			
DKA30B-12	30W	24V (18~36V)	±12V	±1250mA	1KVDC	-40~+85°C	FCC / CE / EAC
DKA30B-15	30W		±15V	±1000mA			
DKA30C-05	25W		±5V	±2500mA			
DKA30C-12	30W	48V (36~72V)	±12V	±1250mA	1KVDC	-40~+85°C	FCC / CE / EAC
DKA30C-15	30W		±15V	±1000mA			

**TKA30**

Model No.	Wattage	Vin	Vout	Iout	Isolation voltage	Operating temperature	Safety
TKA30A-B	25W	12V (9~18V)	5V / ±12V	3500mA / ±310mA	1KVDC	-40~+85°C	FCC / CE / EAC
TKA30A-C			5V / ±15V	3500mA / ±250mA			
TKA30B-B	25W	24V (18~36V)	5V / ±12V	3500mA / ±310mA	1KVDC	-40~+85°C	FCC / CE / EAC
TKA30B-C			5V / ±15V	3500mA / ±250mA			
TKA30C-B	25W	48V (36~72V)	5V / ±12V	3500mA / ±310mA	1KVDC	-40~+85°C	FCC / CE / EAC
TKA30C-C			5V / ±15V	3500mA / ±250mA			

## 2"x2" package

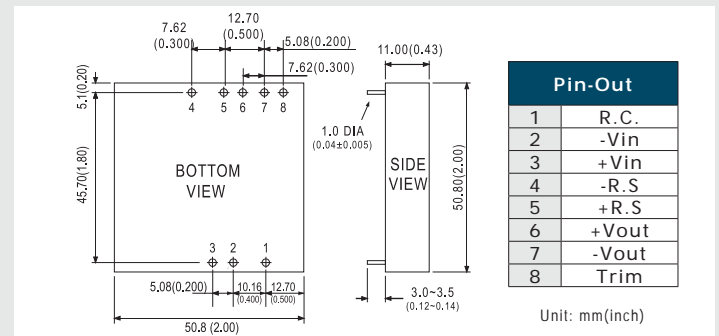
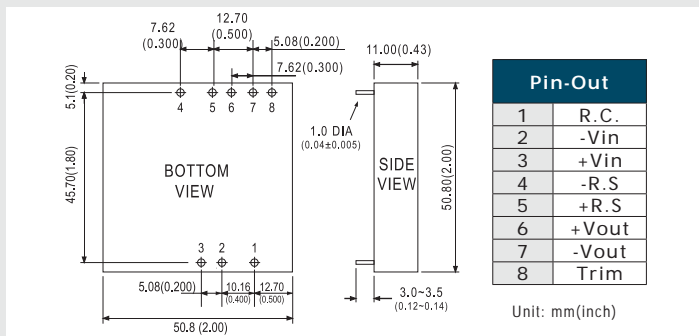
Regulated 40W/60W | 2:1 Vin | Single Vo



▲ SKA40  
2" x 2" x 0.43"



▲ SKA60  
2" x 2" x 0.43"



## SKA40

Model No.	Wattage	Vin	Vout	Iout	Isolation voltage	Operating temperature	Safety
SKA40A-05	35W		5V	7000mA			
SKA40A-12	40W	12V (9~18V)	12V	3330mA	1.5KVDC	-40~+80°C	FCC / CE / EAC
SKA40A-15	40W		15V	2670mA			
SKA40B-05	35W		5V	7000mA			
SKA40B-12	40W	24V (18~36V)	12V	3330mA	1.5KVDC	-40~+80°C	FCC / CE / EAC
SKA40B-15	40W		15V	2670mA			
SKA40C-05	35W		5V	7000mA			
SKA40C-12	40W	48V (36~75V)	12V	3330mA	1.5KVDC	-40~+80°C	FCC / CE / EAC
SKA40C-15	40W		15V	2670mA			

## SKA60

Model No.	Wattage	Vin	Vout	Iout	Isolation voltage	Operating temperature	Safety
SKA60A-05			5V	12A			
SKA60A-12	60W	12V (9~18V)	12V	5000mA	1.5KVDC	-40~+70°C	FCC / CE / EAC
SKA60A-15			15V	4000mA			
SKA60B-05			5V	12A			
SKA60B-12	60W	24V (18~36V)	12V	5000mA	1.5KVDC	-40~+70°C	FCC / CE / EAC
SKA60B-15			15V	4000mA			
SKA60C-05			5V	12A			
SKA60C-12	60W	48V (36~75V)	12V	5000mA	1.5KVDC	-40~+70°C	FCC / CE / EAC
SKA60C-15			15V	4000mA			

Module Type 0.5~150W

**Half-brick** Regulated 75W/100W/150W | 2:1 Vin | Single Vo



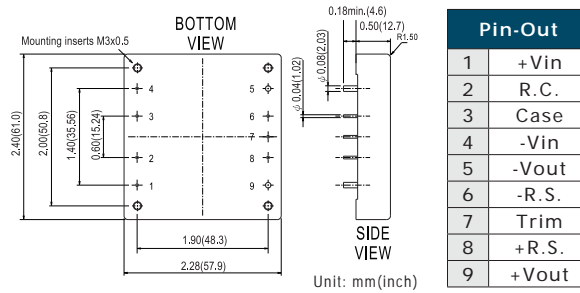
▲ MHB75  
2.28" x 2.40" x 0.50"



▲ MHB100  
2.28" x 2.40" x 0.50"



▲ MHB150  
2.28" x 2.40" x 0.50"



**MHB75**

Model No.	Wattage	Vin	Vout	Iout	Isolation voltage	Operating temperature	Safety
MHB75-12S05	75W	12V (9~18V)	5V	15A	1.5KVDC	-40~+100°C	UL / CE / EAC
MHB75-12S12			12V	6.25A			
MHB75-12S24			24V	3.13A			
MHB75-24S05	75W	24V (18~36V)	5V	15A	1.5KVDC	-40~+100°C	UL / CE / EAC
MHB75-24S12			12V	6.25A			
MHB75-24S24			24V	3.13A			
MHB75-48S05	75W	48V (36~75V)	5V	15A	1.5KVDC	-40~+100°C	UL / CE / EAC
MHB75-48S12			12V	6.25A			
MHB75-48S24			24V	3.13A			

**MHB100**

Model No.	Wattage	Vin	Vout	Iout	Isolation voltage	Operating temperature	Safety
MHB100-24S05	100W	24V (18~36V)	5V	20A	1.5KVDC	-40~+100°C	UL / CE / EAC
MHB100-24S12			12V	8.3A			
MHB100-24S24			24V	4.17A			
MHB100-48S05	100W	48V (36~75V)	5V	20A	1.5KVDC	-40~+100°C	UL / CE / EAC
MHB100-48S12			12V	8.3A			
MHB100-48S24			24V	4.17A			

**MHB150**

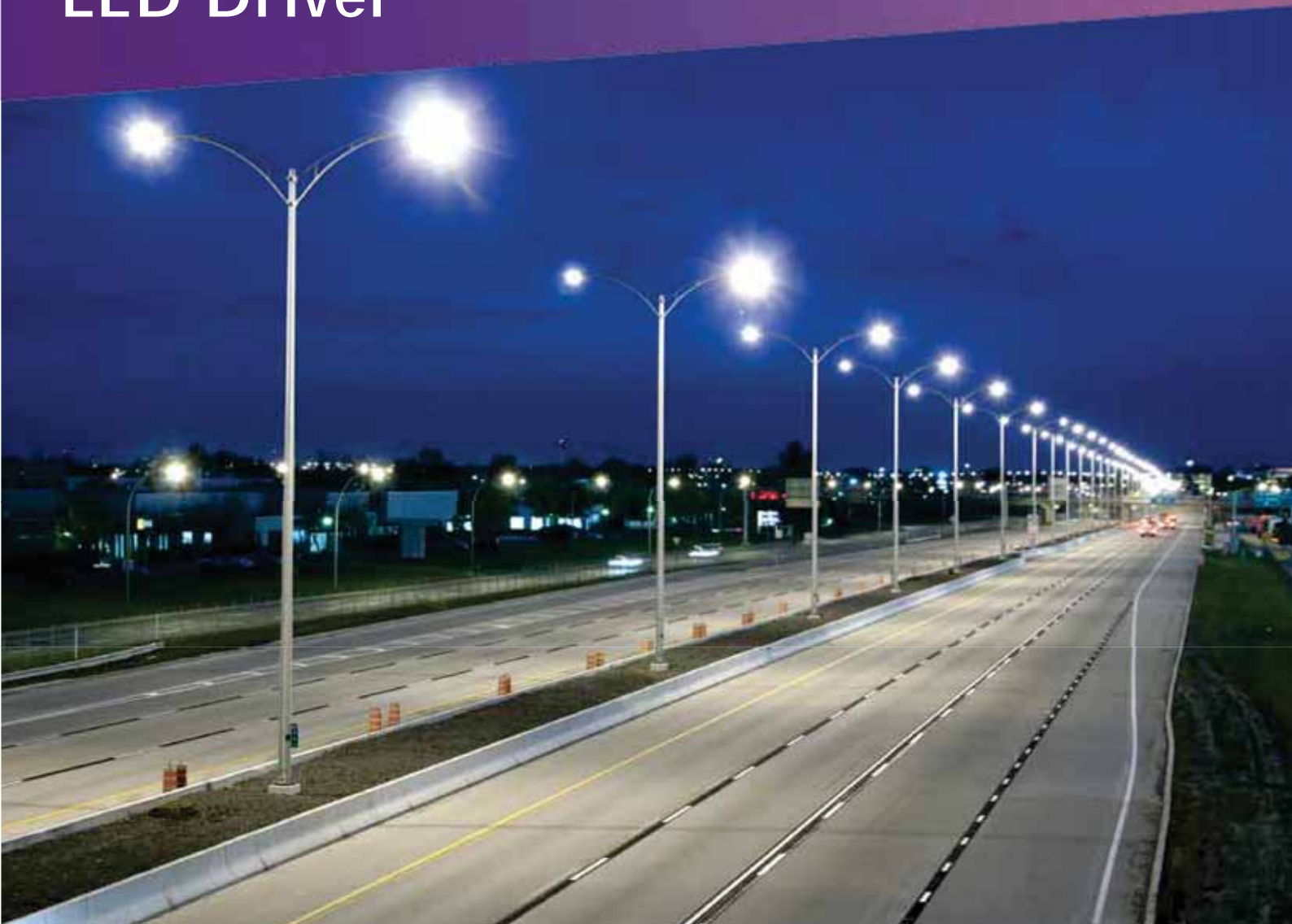
Model No.	Wattage	Vin	Vout	Iout	Isolation voltage	Operating temp.	Safety
MHB150-48S05	150W	48V (36~75V)	5V	30A	1.5KVDC	-40~+100°C	UL / CE / EAC
MHB150-48S12			12V	12.5A			
MHB150-48S24			24V	6.25A			

**Heat Sink for MHB Series**

Order No.	M-C308 (Vertical Fins)	M-C091 (Horizontal Fins)	M-C092 (Horizontal Fins)
Mechanical			

Note: Power module and heat sink should be ordered separately. The heat sinks can be used with MHB75/100/150 series.

# Module Type LED Driver



## Features

- Complete drive current for choice:  
300mA / 350mA / 500mA / 600mA / 700mA  
1000mA / 1200mA / 1400mA / 1500mA
- Constant current step-up mode (LDH) ;  
Constant current step-down mode (LDD-H/L) ;  
Constant current buck-boost mode (LDB-L)
- Multiple type: SMD, Pin, Wire style
- Wide input and output voltage range
- High efficiency up to 97%
- Comply with **EN55015** and **FCC part 15**  
**without additional input filter and capacitors**
- PWM dimming and remote ON/OFF control
- **DALI dimming function for LDH-DA/WDA & LDD-DA/WDA**
- 3 years warranty

## LED Driver



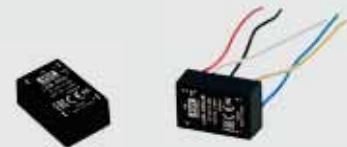
▲ LDD-300~700L/LW/LS  
L/LW: 22.6x 9.9x 8.9 mm  
LS: 25.4x 10.5x 9.3 mm



▲ LDD-1000~1500L/LW/LS  
L/LW: 31.8x 20.3x 12.2 mm  
LS: 31.8x 20.3x 10.9 mm



▲ LDD-300~1000H/HW/HS &  
LDD-1200~1500H/HW  
H/HW: 31.8x 20.3x 12.2 mm  
HS: 31.8x 20.3x 11.4 mm



▲ LDB-300~600L/LW  
31.8x 20.3x 12.2 mm

## LDD-L

Model No.	Vin	Output		Io Tol.	Operating temperature	Dimming	Safety
		Voltage	Current				
LDD-300L □	9~36V (9~32V for S style)	2~32V (2~28V for S style)	300mA	±5%	-40~+85°C	PWM	FCC CE (EN55015)
LDD-350L □			350mA				
LDD-500L □			500mA				
LDD-600L □			600mA				
LDD-700L □			700mA				
LDD-1000L □	6~36V	2~30V	1000mA	±5%	-40~+71°C	PWM+Analog	FCC CE (EN55015) EAC
LDD-1200L □			1200mA				
LDD-1500L □			1500mA				

□ = Blank, W, S ; Blank: pin style, W: Wire style, S: SMD style

## LDD-H

Model No.	Vin	Output		Io Tol.	Operating temperature	Safety
		Voltage	Current			
LDD-300H □	9~56V	2~52V	300mA	±4%	-40~+85°C	FCC CE (EN55015) EAC
LDD-350H □	9~56V	2~52V	350mA	±4%	-40~+85°C	
LDD-500H □	9~56V	2~52V	500mA	±4%	-40~+85°C	
LDD-600H □	9~56V	2~52V	600mA	±4%	-40~+71°C	
LDD-700H □	9~56V	2~52V	700mA	±4%	-40~+71°C	
LDD-1000H □	9~56V	2~52V	1000mA	±4%	-40~+71°C	
LDD-1200H △	9~52V	2~46V	1200mA	±5%	-40~+71°C	
LDD-1500H △	9~52V	2~46V	1500mA	±5%	-40~+65°C	

□ = Blank, W, S ; Blank: pin style, W: wire style, S: SMD style ; △ = Blank, W ; Blank: pin style, W: wire style

## LDB-L

Model No.	Vin	Output		Io Tol.	Operating temperature	Safety
		Voltage	Current			
LDB-300L △	9~36V	2~40V	300mA	±5%	-40~+71°C	FCC CE (EN55015) EAC
LDB-350L △	9~36V	2~40V	350mA	±5%	-40~+71°C	
LDB-500L △	9~30V	2~32V	500mA	±5%	-40~+71°C	
LDB-600L △	9~28V	2~30V	600mA	±5%	-40~+71°C	

△ = Blank, W ; Blank: pin style, W: wire style





▲ LDD-350~1400H-DA  
40.6x 23.5x 10.1 mm



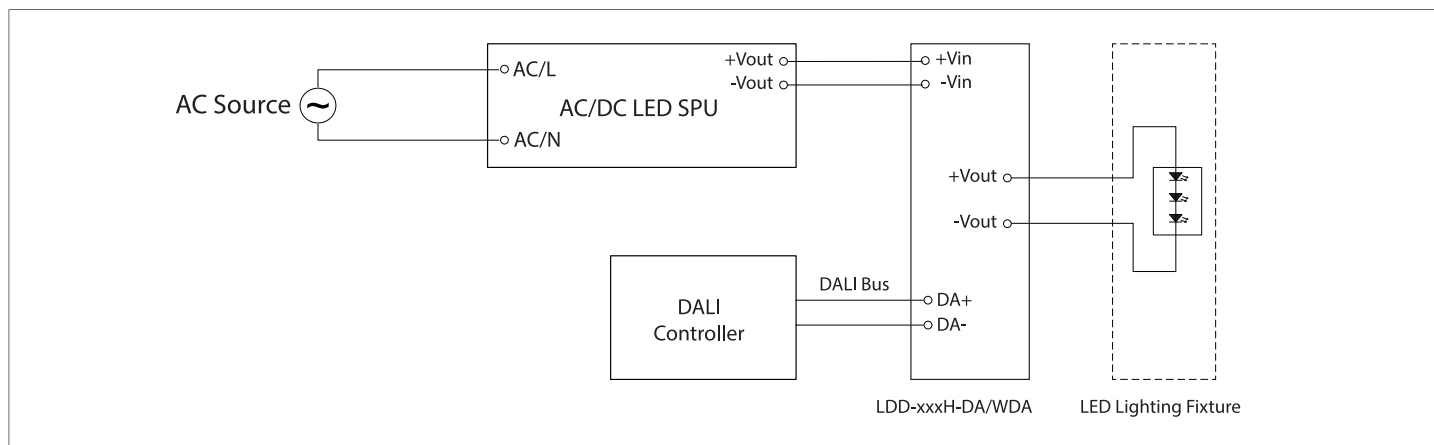
▲ LDD-350~1400H-WDA  
40.6x 23.5x 10.1 mm

■ LDD-DA

Model No.	Vin	Output		Io Tol.	Operating temperature	Dimming	Safety
		Voltage	Current				
LDD-350H-□DA	6~50V	3~45V	350mA	±5%	-40~+85°C	PWM&Analog	 CE (EN55015) EAC
LDD-700H-□DA	6~50V	3~45V	700mA	±5%	-40~+85°C	PWM&Analog	 CE (EN55015) EAC
LDD-1050H-□DA	6~50V	3~45V	1050mA	±5%	-40~+85°C	PWM&Analog	 CE (EN55015) EAC
LDD-1400H-□DA	6~40V	3~36V	1400mA	±5%	-40~+85°C	PWM&Analog	 CE (EN55015) EAC

□ = Blank, W ; Blank: pin style, W: wire style

DALI Dimming Diagram



## LED Driver



▲ LDH-45  
75x 53x 22.7 mm





▲ LDH-45W  
75x 53x 22.7 mm

### LDH-45A/B

Model No.	Vin	Output		Io Tol.	Operating temperature	Dimming	Safety
		Voltage	Current				
LDH-45A-350 ○	9~18V	12~86V	350mA	±5%	-40~+70°C	PWM+Analog	CE (EN55015) EAC
LDH-45A-500 ○		12~86V	500mA				
LDH-45A-700 ○		12~64V	700mA				
LDH-45A-1050 ○		12~43V	1050mA				
LDH-45B-350 ○	18~32V	21~126V	350mA	±5%	-40~+70°C	PWM+Analog	CE (EN55015) EAC
LDH-45B-500 ○		21~86V	500mA				
LDH-45B-700 ○		21~64V	700mA				
LDH-45B-1050 ○		21~43V	1050mA				

○ =Blank, W ; Blank: pin style, PWM+analog dimming; W: Wire style, PWM+analog dimming

### LDH-45A/B-DA

Model No.	Vin	Output		Io Tol.	Operating temperature	Dimming	Safety
		Voltage	Current				
LDH-45A-350 ○ DA	9~18V	24~86V	350mA	±5%	-40~+70°C	DALI	 CE (EN55015) EAC
LDH-45A-500 ○ DA		24~86V	500mA				
LDH-45A-700 ○ DA		24~64V	700mA				
LDH-45A-1050 ○ DA		24~43V	1050mA				
LDH-45B-350 ○ DA	18~32V	36~126V	350mA	±5%	-40~+70°C	DALI	 CE (EN55015) EAC
LDH-45B-500 ○ DA		36~86V	500mA				
LDH-45B-700 ○ DA		36~64V	700mA				
LDH-45B-1050 ○ DA		36~43V	1050mA				

○ =Blank or W ; Blank: pin style, DALI dimming; W: Wire style, DALI dimming

# Selection Guide

Type	Model		Watt	Vin (Vdc)	Vout (Vdc)	Isolation voltage	Operating temperature	Dimension (LxWxH)(mm)	Safety
	Picture	Series							
Enclosed		RSD-30	30W	12V, 24V(9~36V) 24V, 48V(18~72V) 96V, 110V(40~160V)	3.3V 5V 12V 24V	4KVDC	-40~+70°C	113x 60x 25	CE/EAC 
		RSD-60	60W	12V, 24V(9~36V) 24V, 48V(18~72V) 96V, 110V(40~160V)	3.3V 5V 12V 24V	4KVDC	-40~+70°C	126x 60x 25	CE/EAC 
		RSD-100	100W	24V(16.8~31.2V) 48V(33.6~62.4V) 96V, 110V(67.2~143V)	5V 12V 24V	4KVDC	-40~+70°C	161x 68x 36	CE/EAC 
		RSD-150	150W	24V(16.8~31.2V) 48V(33.6~62.4V) 96V, 110V(67.2~143V)	5V 12V 24V	4KVDC	-40~+70°C	189x 77x 36	CE/EAC 
		RSD-200	200W	24V(16.8~31.2V) 48V(33.6~62.4V) 110V(67.2~143V)	12V 24V 48V	4KVDC	-40~+70°C	191x 86x 40	CE/EAC 
		RSD-300	300W	24V(16.8~31.2V) 36V(25.2~46.8V) 48V(33.6~62.4V) 72V(50.4~93.6V) 96V, 110V(67.2~143V)	5V 12V 24V 48V	4KVDC	-40~+70°C	216x 96.5x 40	CE/EAC 
		SD-15	15W	12V(9.2~18V) 24V(18~36V) 48V(36~72V)	5V 12V 24V	1.5KVAC	-10~+60°C	78x 51x 28	CE / EAC
		SD-25	25W	12V(9.2~18V) 24V(18~36V) 48V(36~72V)	5V 12V 24V	1.5KVAC	-10~+60°C	99x 97x 36	CE / EAC
		SD-50	50W	12V(9.2~18V) 24V(18~36V) 48V(36~72V)	5V 12V 24V	1.5KVAC	-10~+60°C	159x 97x 38	CE / EAC
		SD-100	100W	12V(9.5~18V) 24V(19~36V) 48V(36~72V) 96V, 110V(72~144V)	5V 12V 24V	1.5KVAC	-10~+60°C	199x 98x 38	CE CB (D type) EAC
		SD-150	150W	24V(19~36V) 48V(36~72V) 96V, 110V(72~144V)	12V 24V	1.5KVAC	-10~+60°C	199x 110x 50	CE CB (D type) EAC
		SD-200	200W	24V(19~36V) 48V(36~72V) 96V, 110V(72~144V)	5V 12V 24V 48V	1.5KVAC	-20~+60°C	215x 115x 50	CE CB (D type) UL (SD-200C-24) EAC
		SD-350	350W	24V(19~36V) 48V(36~72V) 96V, 110V(72~144V)	5V 12V 24V 48V	1.5KVAC	-20~+60°C	215x 115x 50	CE CB (D type) EAC
		SD-500	500W	48V(19~72V) 96V, 110V(72~144V)	12V 24V 48V	2KVAC	-20~+60°C	215x 115x 50	CE / CB / EAC
	SD-1000	1000W	48V(19~72V) 96V, 110V(72~144V)	12V 24V 48V	2KVAC	-20~+60°C	295x 127x 41	CE / CB / EAC	

# Selection Guide

Type	Model		Watt	Vin (Vdc)	Vout (Vdc)	Isolation Voltage	Operating temperature	Dimension (WxHxD)(mm)	Safety
	Picture	Series							
DIN Rail		DDR-15	15W	12V, 24V (9~36V) 24V, 48V (18~75V)	3.3V 5V 12V 15V 24V	4KVDC	-40~+85°C	17.5x 90x 54.5	CE / EAC
		DDR-30	30W	12V, 24V (9~36V) 24V, 48V (18~75V)	5V 12V 15V 24V	4KVDC	-40~+85°C	35x 90x 54.5	CE / EAC
		DDR-60	60W	12V, 24V (9~36V) 24V, 48V (18~75V)	5V 12V 15V 24V	4KVDC	-40~+85°C	52.5x 90x 54.5	CE / EAC
		DDR-120	120W	12V (9~18V) 24V (16.8~33.6V) 48V (33.6~67.2V) 96V, 110V (67.2~154V)	12V 24V 48V	4KVDC	-40~+70°C	32x 125.2x 102	CE / EAC 
		DDR-240	240W	24V (16.8~33.6V) 48V (33.6~67.2V) 96V, 110V (67.2~154V)	24V 48V	4KVDC	-40~+70°C	40x 125.2x 113.5	CE / EAC 



# Selection Guide

Type	Model		Watt	Vin (Vdc)	Vout (Vdc)	Isolation voltage	Operating temperature	Dimension (LxWxH)(mm)	Safety
	Picture	Series							
PCB		PSD-15	15W	12V(9.2~18V) 24V(18~36V) 48V(36~72V)	5V 12V 24V	1.5KVAC	-10~+60°C	94x 49x 25	CE / EAC
		PSD-30	30W	12V(9~18V) 24V(18~36V) 48V(36~72V)	5V 12V 24V	1.5KVAC	-20~+60°C	101.6x 50.8x 30	CE / EAC
		PSD-45	45W	12V(9.2~18V) 24V(18~36V) 48V(36~72V)	5V 12V 24V	1.5KVAC	-10~+60°C	127x 76x 30	CB / CE / EAC
On Board		NID-30	30W	24V(20~53V) 48V(30~53V)	5V 12V 15V 24V	NA (Non-Isolated)	-25~+65°C	2"x 0.512"x 0.421"	NA
		NID-60	60W	24V(20~53V) 48V(30~53V)	5V 12V 15V 24V	NA (Non-Isolated)	-25~+65°C	2"x 1.024"x 0.421"	NA
		NSD05-S	5W	12V(9.2~36V) 48V(18~72V)	3.3V 5V 12V 15V	1KVDC	-25~+70°C	1.6"x 1"x 0.327"	CB / CE / EAC
		NSD10-S	10W	12V(9.8~36V) 48V(22~72V)	3.3V 5V 9V 12V 15V	1KVDC	-25~+70°C	2"x 1"x 0.394"	UL / CE / EAC
		NSD10-D	10W	12V(9.8~36V) 48V(22~72V)	±5V ±12V ±15V	1KVDC	-25~+70°C	2"x 1"x 0.394"	UL / CE / EAC
		NSD15-S	15W	12V(9.4~36V) 48V(18~72V)	3.3V 5V 12V 15V	1.5KVDC	-25~+70°C	2"x 1.5"x 0.387"	UL / CE / EAC
		NSD15-D	15W	12V(9.4~36V) 48V(18~72V)	±5V ±12V ±15V	1.5KVDC	-25~+70°C	2"x 1.5"x 0.387"	UL / CE / EAC

# Selection Guide

Type	Model		Watt	Package	Vin (Vdc)	Vout (Vdc)	Isolation voltage	Operating temperature	Dimension (LxWxH)	Safety
	Picture	Series								
Module		SBT01	1W	SMD	5V(4.5~5.5V) 12V(10.8~13.2V)	5V 9V 12V 15V	1KVDC	-40~+85°C	0.5" x 0.3"x 0.24"	UL
		SBTN01	1W	SMD	5V(4.5~5.5V) 12V(10.8~13.2V) 24V(21.6~26.4V)	5V 12V 15V	1.5KVDC	-40~+90°C (-40~+105°C optional)	0.5"x 0.43"x 0.28"	CE/EAC
		SFT01	1W	SMD	5V(4.5~5.5V) 12V(10.8~13.2V)	5V 9V 12V 15V	3KVDC	-40~+85°C	0.6"x 0.295"x 0.255"	UL
		SFTN01	1W	SMD	5V(4.5~5.5V) 12V(10.8~13.2V) 24V(21.6~26.4V)	5V 12V 15V	3KVDC	-40~+90°C (-40~+100°C optional)	0.6"x 0.42"x 0.28"	CE/EAC
		DET01	1W	SMD	5V(4.5~5.5V) 12V(10.8~13.2V)	±5V ±9V ±12V ±15V	3KVDC	-40~+85°C	0.6"x 0.295"x 0.255"	UL
		DETN01	1W	SMD	5V(4.5~5.5V) 12V(10.8~13.2V) 24V(21.6~26.4V)	±5V ±12V ±15V	3KVDC	-40~+90°C (-40~+100°C optional)	0.6"x 0.42"x 0.28"	CE/EAC
		MDS01	1W	SIP	5V(4.5~5.5V) 12V(10.8~13.2V) 24V(21.6~26.4V)	3.3V 5V 12V 15V	6KVDC	-40~+85°C	0.77"x 0.39"x 0.49"	UL/CE 
		MDD01	1W	SIP	5V(4.5~5.5V) 12V(10.8~13.2V) 24V(21.6~26.4V)	±5V ±9V ±12V ±15V	6KVDC	-40~+85°C	0.77"x 0.39"x 0.49"	UL/CE 
		MDS02	2W	SIP	5V(4.5~5.5V) 12V(10.8~13.2V) 24V(21.6~26.4V)	5V 12V 15V	6KVDC	-40~+85°C	0.77"x 0.39"x 0.49"	UL/CE 
		MDD02	2W	SIP	5V(4.5~5.5V) 12V(10.8~13.2V) 24V(21.6~26.4V)	±5V ±9V ±12V ±15V	6KVDC	-40~+85°C	0.77"x 0.39"x 0.49"	UL/CE 
		SMU01	1W	SIP	5V(4.5~5.5V) 12V(10.8~13.2V) 24V(21.6~26.4V)	5V 9V 12V 15V	1.5KVDC	-40~+90°C	0.46"x 0.24"x 0.4"	FCC/CE/ EAC
		SMU02	2W	SIP	5V(4.5~5.5V) 12V(10.8~13.2V) 24V(21.6~26.4V)	5V 12V 15V	1.5KVDC	-40~+85°C	0.46"x 0.3"x 0.4"	FCC/CE/ EAC
		SPU01	1W	SIP	5V(4.5~5.5V) 12V(10.8~13.2V) 24V(21.6~26.4V)	5V 12V 15V	1.5KVDC	-40~+90°C	5/12Vin: 0.77"x 0.24"x 0.40" 24Vin: 0.77"x 0.28"x 0.40"	CE/EAC
		DPU01	1W	SIP	5V(4.5~5.5V) 12V(10.8~13.2V) 24V(21.6~26.4V)	±5V ±12V ±15V	1.5KVDC	-40~+90°C	5/12Vin: 0.77"x 0.24"x 0.40" 24Vin: 0.77"x 0.28"x 0.40"	CE/EAC

# Selection Guide







Type	Model		Watt	Package	Vin (Vdc)	Vout (Vdc)	Isolation voltage	Operating temperature	Dimension (LxWxH)	Safety
	Picture	Series								
Module		SPU02	2W	SIP	5V(4.5~5.5V) 12V(10.8~13.2V) 24V(21.6~26.4V)	5V 12V 15V	3KVDC	-40~+71°C	0.77"x 0.28"x 0.4"	CE/FCC/ EAC
		SPU03	3W	SIP	5V(4.5~5.5V) 12V(10.8~13.2V) 24V(21.6~26.4V)	5V 12V 15V	3KVDC	-40~+90°C	0.77"x 0.3"x 0.4"	CE/FCC/ EAC
		SPR01	1W	SIP	5V(4.5~5.5V) 12V(10.8~13.2V) 24V(21.6~26.4V) 48V(43.2~52.8V)	5V 9V 12V 15V	1KVDC	-25~+71°C	0.77"x 0.28"x 0.4"	CE/FCC/ EAC
		SPA01	1W	SIP	12V(9~18V) 24V(18~36V) 48V(36~72V)	5V 12V 15V	1.5KVDC	-40~+90°C	0.69"x 0.3"x 0.44"	CE/FCC/ EAC
		SPA02	2W	SIP	5V(4.5~9V) 12V(9~18V) 24V(18~36V) 48V(36~72V)	5V 12V 15V	1KVDC	-40~+85°C	0.86"x 0.36"x 0.44"	CE/FCC/ EAC
		SPAN02	2W	SIP	5V(4.5~9V) 12V(9~18V) 24V(18~36V) 48V(36~75V)	3.3V 5V 12V 15V	1.5KVDC	-40~+90°C	0.86"x 0.36"x 0.44"	CE/EAC
		DPAN02	2W	SIP	5V(4.5~9V) 12V(9~18V) 24V(18~36V) 48V(36~75V)	±5V ±12V ±15V	1.5KVDC	-40~+90°C	0.86"x 0.36"x 0.44"	CE/EAC
		SPB03	3W	SIP	5V(4.5~9V) 12V(9~18V) 24V(18~36V) 48V(36~72V)	5V 12V 15V	1KVDC	-40~+85°C	0.86"x 0.36"x 0.44"	FCC/CE/ EAC
		SPBW03	3W	SIP	24V(9~36V) 48V(18~75V)	3.3V 5V 12V 15V	1.5KVDC	-40~+85°C	0.86"x 0.36"x 0.44"	CE/EAC
		DPBW03	3W	SIP	24V(9~36V) 48V(18~75V)	±5V ±12V ±15V	1.5KVDC	-40~+85°C	0.86"x 0.36"x 0.44"	CE/EAC
		SPB05	5W	SIP	12V(9~18V) 24V(18~36V) 48V(36~72V)	5V 12V 15V	1.5KVDC	-40~+80°C	0.86"x 0.36"x 0.44"	FCC/CE/ EAC
		SPBW06	6W	SIP	24V(9~36V) 48V(18~75V)	3.3V 5V 12V 15V	1.5KVDC	-40~+85°C	0.86"x 0.36"x 0.44"	CE/EAC
		DPBW06	6W	SIP	24V(9~36V) 48V(18~75V)	±5V ±12V ±15V	1.5KVDC	-40~+85°C	0.86"x 0.36"x 0.44"	CE/EAC
		SRS	0.5W	DIP16	5V(4.5~5.5V) 12V(10.8~13.2V) 24V(21.6~26.4V) 48V(43.2~52.8V)	5V 9V 12V 15V	1KVDC	-25~+71°C	0.89"x 0.39"x 0.33"	FCC/CE/ EAC
		SUS01	1W	DIP16	5V(4.5~5.5V) 12V(10.8~13.2V) 24V(21.6~26.4V) 48V(43.2~52.8V)	5V 9V 12V 15V	1KVDC	-25~+71°C	0.89"x 0.39"x 0.33"	FCC/CE/ EAC

# Selection Guide

Type	Model		Watt	Package	Vin (Vdc)	Vout (Vdc)	Isolation voltage	Operating temperature	Dimension (LxWxH)	Safety
	Picture	Series								
Module		SMA01	1W	DIP7	5V(4.5~5.5V) 12V(10.8~13.2V) 24V(21.6~26.4V)	5V 9V 12V 15V	1.5KVDC	-40~+90°C	0.50"x 0.40"x 0.28"	FCC/CE/ EAC
		SLC03	3W	DIP16	12V (9~18V) 24V (18~36V) 48V (36~75V)	5V 12V 15V	1.5KVDC	-40~+85°C	0.87"x 0.54"x 0.34"	CE/EAC
		DLC03	3W	DIP16	12V (9~18V) 24V (18~36V) 48V (36~75V)	±5V ±12V ±15V	1.5KVDC	-40~+85°C	0.87"x 0.54"x 0.34"	CE/EAC
		SCW03	3W	DIP24	12V (9~18V) 24V (18~36V) 48V (36~72V)	5V 12V 15V	1KVDC	-40~+71°C	1.25"x 0.8"x 0.48"	FCC/CE/ EAC
		DCW03	3W	DIP24	12V (9~18V) 24V (18~36V) 48V (36~72V)	±5V ±12V ±15V	1KVDC	-40~+71°C	1.25"x 0.8"x 0.48"	FCC/CE/ EAC
		SCWN03	3W	DIP24	5V (4.5~9V) 12V (9~18V) 24V (18~36V) 48V (36~72V)	3.3V 5V 12V 15V	3KVDC	-40~+90°C	1.25"x 0.80"x 0.40"	CE/EAC
		DCWN03	3W	DIP24	5V (4.5~9V) 12V (9~18V) 24V (18~36V) 48V (36~72V)	±5V ±12V ±15V	3KVDC	-40~+90°C	1.25"x 0.80"x 0.40"	CE/EAC
		SCW05	5W	DIP24	12V (9~18V) 24V (18~36V) 48V (36~72V)	5V 9V 12V 15V	1KVDC	-40~+71°C	1.25"x 0.80"x 0.48"	FCC/CE/ EAC
		DCW05	5W	DIP24	12V (9~18V) 24V (18~36V) 48V (36~72V)	±5V ±12V ±15V	1KVDC	-40~+71°C	1.25"x 0.80"x 0.48"	FCC/CE/ EAC
		SCWN06	6W	DIP24	12V (9~18V) 24V (18~36V) 48V (36~72V)	3.3V 5V 12V 15V	3KVDC	-40~+90°C	1.25"x 0.80"x 0.40"	CE/EAC
		DCWN06	6W	DIP24	12V (9~18V) 24V (18~36V) 48V (36~72V)	±5V ±12V ±15V	3KVDC	-40~+90°C	1.25"x 0.80"x 0.40"	CE/EAC
		SCW08	8W	DIP24	12V (9~18V) 24V (18~36V) 48V (36~72V)	5V 12V 15V	1KVDC	-40~+71°C	1.25"x 0.8"x 0.48"	CE/FCC/ EAC
		DCW08	8W	DIP24	12V (9~18V) 24V (18~36V) 48V (36~72V)	±5V ±12V ±15V	1KVDC	-40~+71°C	1.25"x 0.8"x 0.48"	CE/FCC/ EAC
		RSDW08	8W	DIP24	12V, 24V (9~36V) 24V, 48V (18~75V)	3.3V 5V 12V 15V	1.5KVDC	-40~+85°C	1.25"x 0.80"x 0.40"	CE/EAC 
		RDDW08	8W	DIP24	12V, 24V(9~36V) 24V, 48V (18~75V)	±5V ±12V ±15V	1.5KVDC	-40~+85°C	1.25"x 0.80"x 0.40"	CE/EAC 
		RSDW10	10W	DIP24	96V, 110V (43~160V)	3.3V 5V 12V 15V	3KVDC	-40~+85°C	1.25"x 0.80"x 0.50"	CE/EAC 
	RDDW10	10W	DIP24	96V, 110V (43~160V)	±5V ±12V ±15V	3KVDC	-40~+85°C	1.25"x 0.80"x 0.50"	CE/EAC 	



# Selection Guide

Type	Model		Watt	Package	Vin (Vdc)	Vout (Vdc)	Isolation voltage	Operating temperature	Dimension (LxWxH)	Safety
	Picture	Series								
Module		SCW12	12W	DIP24	12V (9~18V) 24V (18~36V) 48V (36~72V)	5V 12V 15V	1.5KVDC	-40~+71°C	1.25"x 0.80"x 0.48"	FCC/CE/ EAC
		DCW12	12W	DIP24	12V (9~18V) 24V (18~36V) 48V (36~72V)	±5V ±12V ±15V	1.5KVDC	-40~+71°C	1.25"x 0.80"x 0.48"	FCC/CE/ EAC
		SCW20	20W	DIP24	12V (9~18V) 24V (18~36V) 48V (36~75V)	5V 12V 15V	1.5KVDC	-40~+80°C	1.25"x 0.80"x 0.48"	CE/EAC
		SKM10	10W	1"x1"	5V (4.7~9V) 12V (9~18V) 24V (18~36V) 48V (36~75V)	3.3V 5V 12V 15V	1.5KVDC	-40~+85°C	1"x 1"x 0.40"	CE/EAC
		DKM10	10W	1"x1"	5V (4.7~9V) 12V (9~18V) 24V (18~36V) 48V (36~75V)	±5V ±12V ±15V	1.5KVDC	-40~+85°C	1"x 1"x 0.40"	CE/EAC
		SKM15	15W	1"x1"	12V (9~18V) 24V (18~36V) 48V (36~75V)	5V 12V 15V	1.5KVDC	-40~+80°C	1"x 1"x 0.39"	FCC/CE/ EAC
		SKMW20	20W	1"x1"	12V, 24V (9~36V) 24V, 48V (18~75V)	3.3V 5V 12V 15V	1.5KVDC	-40~+85°C	1"x 1"x 0.40"	CE/EAC
		DKMW20	20W	1"x1"	12V, 24V (9~36V) 24V, 48V (18~75V)	±12V ±15V	1.5KVDC	-40~+85°C	1"x 1"x 0.40"	CE/EAC
		SKMW30	30W	1"x1"	12V, 24V (9~36V) 24V, 48V (18~75V)	3.3V 5V 12V 15V	1.5KVDC	-40~+85°C	1"x 1"x 0.40"	CE/EAC
		DKMW30	30W	1"x1"	12V, 24V (9~36V) 24V, 48V (18~75V)	±12V ±15V	1.5KVDC	-40~+85°C	1"x 1"x 0.40"	CE/EAC
		SLW05	5W	2"x1"	12V(9~18V) 24V(18~36V) 48V(36~72V)	5V 9V 12V 15V	1KVDC	-25~+71°C	2"x 1"x 0.44"	FCC/CE/ EAC
		DLW05	5W	2"x1"	12V(9~18V) 24V(18~36V) 48V(36~72V)	±5V ±12V ±15V	1KVDC	-25~+71°C	2"x 1"x 0.44"	FCC/CE/ EAC
		SKE10	10W	2"x1"	12V(9~18V) 24V(18~36V) 48V(36~72V)	5V 12V 15V 24V	1KVDC	-25~+71°C	2"x 1"x 0.44"	FCC/CE/ EAC
		DKE10	10W	2"x1"	12V(9~18V) 24V(18~36V) 48V(36~72V)	±5V ±12V ±15V ±24V	1KVDC	-25~+71°C	2"x 1"x 0.44"	FCC/CE/ EAC
		SKA15	15W	2"x1"	12V(9~18V) 24V(18~36V) 48V(36~72V)	3.3V 5V 12V 15V	1KVDC	-40~+71°C	2"x 1"x 0.44"	FCC/CE/ EAC
		DKA15	15W	2"x1"	12V(9~18V) 24V(18~36V) 48V(36~72V)	±5V ±12V ±15V	1KVDC	-40~+71°C	2"x 1"x 0.44"	FCC/CE/ EAC

# Selection Guide

Type	Model		Watt	Package	Vin (Vdc)	Vout (Vdc)	Isolation voltage	Operating temperature	Dimension (LxWxH)	Safety
	Picture	Series								
Module		RSDW20	20W	2"x1"	12V, 24V (9~36V) 24V, 48V (18~75V) 96V, 110V (43~160V)	3.3V 5V 12V 15V	F&G models: 1.5KVDC H models: 3KVDC	-40~+85°C	2"x 1"x 0.4"	CE/EAC 
		RDDW20	20W	2"x1"	12V, 24V (9~36V) 24V, 48V (18~75V) 96V, 110V (43~160V)	±5V ±12V ±15V	F&G models: 1.5KVDC H models: 3KVDC	-40~+85°C	2"x 1"x 0.4"	CE/EAC 
		SKA20	20W	2"x1"	12V(9~18V) 24V(18~36V) 48V(36~75V)	5V 12V 15V	1.5KVDC	-40~+85°C	2"x 1"x 0.44"	FCC/CE/ EAC
		SKM30	30W	2"x1"	12V(9~18V) 24V(18~36V) 48V(36~75V)	5V 12V 15V	1.5KVDC	-40~+75°C	2"x 1"x 0.44"	FCC/CE/ EAC
		SKM50	50W	2"x1"	24V(18~36V) 48V(36~72V)	5V 12V 15V	1.5KVDC	-40~+75°C	2"x 1"x 0.54"	FCC/CE/ EAC
		SKE15	15W	2"x2"	12V(9~18V) 24V(18~36V) 48V(36~72V)	5V 12V 15V 24V	1KVDC	-25~+71°C	2"x 2"x 0.43"	FCC/CE/ EAC
		DKE15	15W	2"x2"	12V(9~18V) 24V(18~36V) 48V(36~72V)	5V 12V 15V 24V	1KVDC	-25~+71°C	2"x 2"x 0.43"	FCC/CE/ EAC
		SDM30	30W	2"x2"	12V(9.2~18V) 24V(18~36V) 48V(36~72V)	3.3V 5V 12V 15V	1KVDC	-25~+85°C	2"x 2"x 0.63"	CE/EAC
		DKA30	30W	2"x2"	12V(9~18V) 24V(18~36V) 48V(36~72V)	±5V ±12V ±15V	1KVDC	-40~+85°C	2"x 2"x 0.82"	FCC/CE/ EAC
		TKA30	25W	2"x2"	12V(9~18V) 24V(18~36V) 48V(36~72V)	5V/ ±12V 5V/ ±15V	1KVDC	-40~+85°C	2"x 2"x 0.82"	FCC/CE/ EAC
		SKA40	40W	2"x2"	12V(9~18V) 24V(18~36V) 48V(36~75V)	5V 12V 15V	1.5KVDC	-40~+80°C	2"x 2"x 0.43"	FCC/CE/ EAC
		SKA60	60W	2"x2"	12V(9~18V) 24V(18~36V) 48V(36~75V)	5V 12V 15V	1.5KVDC	-40~+70°C	2"x 2"x 0.43"	FCC/CE/ EAC
		MHB75	75W	Half-brick	12V(9~18V) 24V(18~36V) 48V(36~75V)	5V 12V 24V	1.5KVDC	-40~+100°C	2.28"x 2.40"x 0.50"	UL/CE/ EAC
		MHB100	100W	Half-brick	24V(18~36V) 48V(36~75V)	5V 12V 24V	1.5KVDC	-40~+100°C	2.28"x 2.40"x 0.50"	UL/CE/ EAC
		MHB150	150W	Half-brick	48V(36~75V)	5V 12V 24V	1.5KVDC	-40~+100°C	2.28"x 2.40"x 0.50"	UL/CE/ EAC

# Selection Guide

Type	Model		Vin (Vdc)	Outpt		Operating temperature	Dimension (LxWxH)(mm)	Safety
	Picture	Series		Voltage	Current			
Module Type1 — LED Driver		LDD-300~700L/LW/LS	9~36V (9~32V for S style)	2~32V (2~28V for S style)	300/350/500/ 600/700mA	-40~+85°C	L/LW:22.6x 9.9x 8.9 LS: 25.4x 10.5x 9.3	FCC CE (EN55015)
		LDD-1000~1500L/LW/LS	6~36V	2~30V	1000/1200/ 1500mA	-40~+71°C	L/LW:31.8x 20.3x 12.2 LS: 31.8x 20.3x 10.9	EAC
		LDD-300~1000H/HW/HS	9~56V	2~52V	300/350/500 600/700/ 1000mA	-40~+85°C	H/HW: 31.8x 20.3x 12.2 HS: 31.8x 20.3x 11.4	FCC CE (EN55015)
		LDD-1200~1500H/HW	9~52V	2~46V	1200/1500mA			EAC
		LDB-300~600L/LW	9~36V	2~40V (By Models)	300/350/ 500/600mA	-40~+71°C	31.8x 20.3x 12.2	FCC CE (EN55015) EAC
		LDD-350~1400H-DA/WDA	6~50V	3~45V (By Models)	350/700/ 1050/1400mA	-40~+85°C	40.6x 23.5x 10.1	 CE (EN55015) EAC
		LDH-45A/B-350~1050W	9~18V 18~32V	12~86V 21~126V (By Models)	350/500 700/1050mA	-40~+70°C	75x 53x 22.7	CE (EN55015) EAC
		LDH-45A/B-350~1050WDA	9~18V 18~32V	24~86V 36~126V (By Models)	350/500 700/1050mA	-40~+70°C	75x 53x 22.7	 CE (EN55015) EAC

## Taiwan

### MEAN WELL ENTERPRISES CO., LTD. (Headquarters)

No. 28, Wuquan 3rd Road, Wugu District,  
New Taipei City, Taiwan, 24891

**Tel** +886-2-2299-6100(rep.)

**Fax** +886-2-2299-6200(rep.)

+886-2-2298-0818(sales)

**e-mail** info@meanwell.com

**Web** www.meanwell.com

## U.S.A.

### MEAN WELL USA, INC.

44030 Fremont Blvd., Fremont, CA 94538, U.S.A.

**Tel** +1-510-683-8886

**Fax** +1-510-683-8899

**e-mail** info@meanwellusa.com **Web** www.meanwellusa.com

## Europe

### MEAN WELL EUROPE B.V.

Langs de Werf 8, 1185XT Amstelveen, the Netherlands

**Tel** +31-20-758-6000

**Fax** +31-20-758-6001

**e-mail** info@meanwell.eu **Web** www.meanwell.eu



**info@meanwell.com**  
**www.meanwell.com**



## China

### MEAN WELL (GUANGZHOU) ELECTRONICS CO., LTD.

No.11, Jingu South Road, Huadong Town,  
Huadu District, Guangzhou, Guangdong, China

**Tel** +86-20-3773-7100 / 400-800-3608(sales)

+86-10-5200-1817(Beijing Office)

+86-755-2359-1630(Shengzhen Office)

+86-180-0058-4748(Chengdu Office)

### SUZHOU MEAN WELL TECHNOLOGY CO., LTD.

No.77, Jian-Ming Rd. Dong-Qiao, Pan-Yang Ind. Park,  
Huang-Dai Town, Xiang-Cheng District,

Suzhou, Jiang-Su, China

**Tel** +86-512-6508-8600

**Fax** +86-512-6508-8700

**e-mail** info@meanwell.cc

**Web** www.meanwell.cc

## R&D Center

2F, A Building, Yuan Industry Park, Huangcun,  
Dongpu Town, Tianhe District, Guangzhou, China

**Tel** +86-20-2887-1200(rep.) **Fax** +86-20-8201-0507

**e-mail** info@meanwell.com.cn **Web** www.meanwell.com.cn

